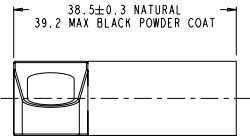


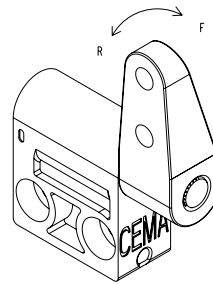
PROPRIETY ITEM - EXCEPT FOR USES EXPRESSLY GRANTED IN WRITING, INFORMATION DISCLOSED HEREON IS CONFIDENTIAL AND ALL RIGHTS, PATENT AND OTHERWISE ARE RESERVED BY SOUTHCO, INC.

NOTES:

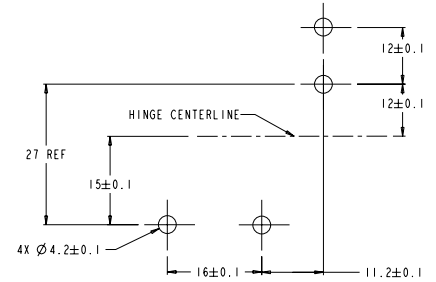
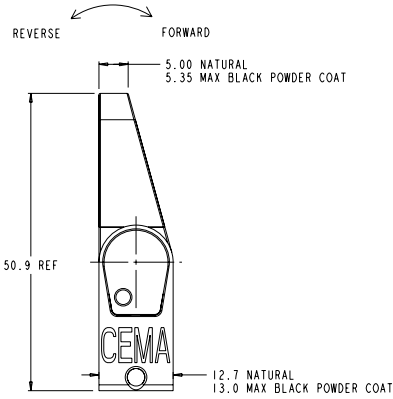
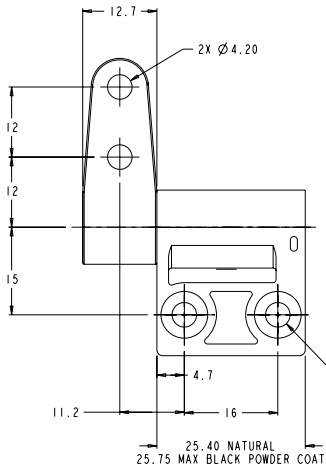
1. MATERIAL & FINISH:
HOUSING AND ADAPTER - ZINC ALLOY,
FOR FINISH SEE TABLE.
SHAFT AND TORQUE ELEMENTS - HARDENED STEEL
2. INSTALL HINGE USING A No. 8 OR M4 SOCKET HEAD CAP SCREW
3. FOR PROPER FUNCTION, ASSEMBLY MUST INCLUDE
(1) TYPE "A" & (1) TYPE "B" HINGE



TYPE B
(SHOWN DIMENSIONED)



TYPE A



PANEL PREPARATION

PART NUMBER	DESCRIPTION	FINISH
ST-12A-XXXX-33	ASSEMBLY - AS CAST	NATURAL
ST-12A-XXXX-10	ASSEMBLY - COATED	WHITE POWDER COAT
ST-12A-XXXX-50	ASSEMBLY - COATED	BLACK POWDER COAT

PART NUMBER		STATIC TORQUE	
TYPE A	TYPE B	FORWARD (IN-LBF)	REVERSE (IN-LBF)
ST-12A-120SA-XX	ST-12A-120SB-XX	12	12
ST-12A-200SA-XX	ST-12A-200SB-XX	20	20
ST-12A-280SA-XX	ST-12A-280SB-XX	28	28
ST-12A-360SA-XX	ST-12A-360SB-XX	36	36
ST-12A-200FA-XX	ST-12A-200FB-XX	20	12*
ST-12A-280FA-XX	ST-12A-280FB-XX	28	16.8*
ST-12A-360FA-XX	ST-12A-360FB-XX	36	21.6*
ST-12A-440FA-XX	ST-12A-440FB-XX	44	26.4*
ST-12A-200RA-XX	ST-12A-200RB-XX	12*	20
ST-12A-280RA-XX	ST-12A-280RB-XX	16.8*	28
ST-12A-360RA-XX	ST-12A-360RB-XX	21.6*	36
ST-12A-440RA-XX	ST-12A-440RB-XX	26.4*	44

*TOLERANCE IN LOW TORQUE DIRECTION ±30%

ALL DIMENSIONS
ARE IN MILLIMETERS
ALL DIMENSIONS
WITHOUT
TOLERANCES
ARE FOR
REFERENCE
ONLY

southco		TITLE ST-12A HINGE ASSEMBLY	
DESIGNED BY AS 10FEB06	APPROVED BY JM 10FEB06	DWG No J-ST-12A	REVISION D
MODEL NAME ST127-R	SCALE 2.000	MATERIAL AS NOTED	
⊙	3/2 ALL SURFACES EXCEPT AS NOTED	CALC. WEIGHT	FORMAT C

REVISION RECORD			
SYMB	DESCRIPTION	BY	DATE
A	PRN: P2006-0566	JM	13APR06
B	PRN: P2006-0736	AJH/RLR	27MAY2006
C	PRN: P2007-0719	AJH	24AUG2007
D	PRN: P2008-0041	MJS/TBH	16JAN2008