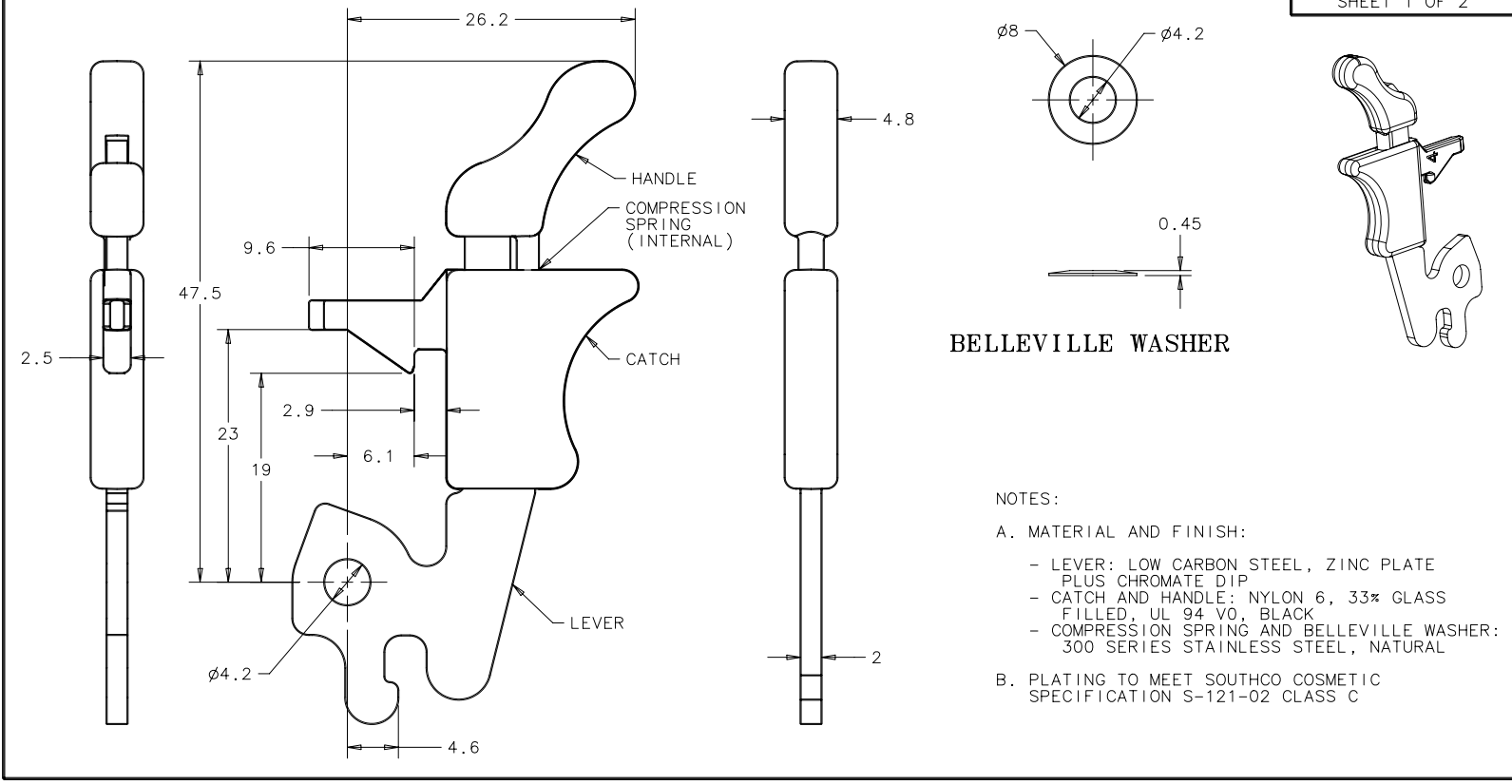

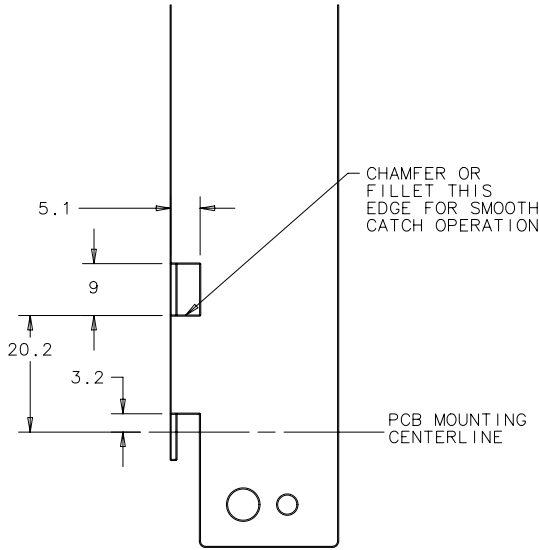


southco		PROPRIETARY ITEM - EXCEPT FOR USES EXPRESSLY GRANTED IN WRITING INFORMATION DISCLOSED HEREON IS CONFIDENTIAL AND ALL RIGHTS PATENT AND OTHERWISE ARE RESERVED BY SOUTHCO, INC.			EJECTOR PMC 2.5mm FACEPLATE, PLUNGER SWITCH			DATE	DRAWN	CHKD	SCALE	DRAWING NUMBER
								03MAY2005	RES	AJH	2:1	J-P7-A-543-11
REV	DATE	DRAWN/CHKD	DESCRIPTION	PART NUMBER	MATERIAL AND FINISH	COLOR		MILLIMETERS				
A	21JUN2006	AJH/MDY	PRN: P2006-0862	P7-A-543-11	SEE NOTE A	SEE NOTE A						
				P7-A-543-11-XXX	SEE NOTE A	SEE J-47-0-3 FOR COLOR ONLY		ALL DIMENSIONS WITHOUT TOLERANCES ARE FOR REFERENCE ONLY.				
								THIRD ANGLE PROJECTION		A4 PAPER SIZE		
SHEET 1 OF 2												

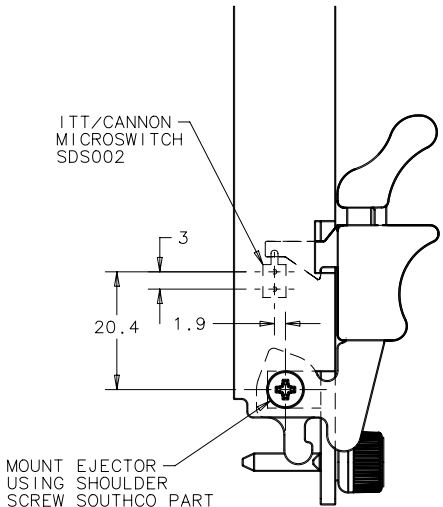


- NOTES:
- A. MATERIAL AND FINISH:
 - LEVER: LOW CARBON STEEL, ZINC PLATE PLUS CHROMATE DIP
 - CATCH AND HANDLE: NYLON 6, 33% GLASS FILLED, UL 94 V0, BLACK
 - COMPRESSION SPRING AND BELLEVILLE WASHER: 300 SERIES STAINLESS STEEL, NATURAL
 - B. PLATING TO MEET SOUTHCO COSMETIC SPECIFICATION S-121-02 CLASS C

southco		PROPRIETARY ITEM - EXCEPT FOR USES EXPRESSLY GRANTED IN WRITING INFORMATION DISCLOSED HEREON IS CONFIDENTIAL AND ALL RIGHTS PATENT AND OTHERWISE ARE RESERVED BY SOUTHCO, INC.			EJECTOR PMC 2.5mm FACEPLATE, PLUNGER SWITCH			DATE	DRAWN	CHKD	SCALE	DRAWING NUMBER
								03MAY2005	RES	AJH	1:1	J-P7-A-543-11
REV	DATE	DRAWN/CHKD	DESCRIPTION	PART NUMBER	MATERIAL AND FINISH	COLOR	MILLIMETERS					
A	21JUN2006	AJH/MDY	PRN: P2006-0862	P7-A-543-11	SEE NOTE A	SEE NOTE A	ALL DIMENSIONS WITHOUT TOLERANCES ARE FOR REFERENCE ONLY.					
				P7-A-543-11-XXX	SEE NOTE A	SEE J-47-0-3 FOR COLOR ONLY						
							 A4 PAPER SIZE					



PANEL PREPARATION
FACEPLATE THICKNESS: 2.5mm



INSTALL BELLEVILLE WASHER BETWEEN SHOULDER SCREW AND EJECTOR

EJECTOR INSTALLATION