



PROPRIETARY ITEM - EXCEPT FOR USES EXPRESSLY GRANTED IN WRITING INFORMATION DISCLOSED HEREON IS CONFIDENTIAL AND ALL RIGHTS PATENT AND OTHERWISE ARE RESERVED BY SOUTHCO, INC.

EJECTOR
PMC 2.5mm FACEPLATE

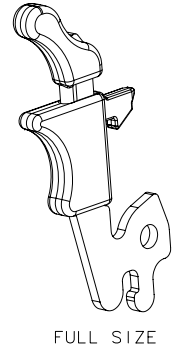
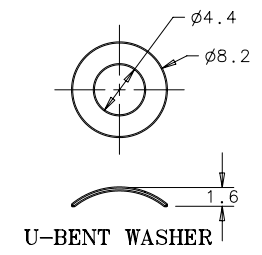
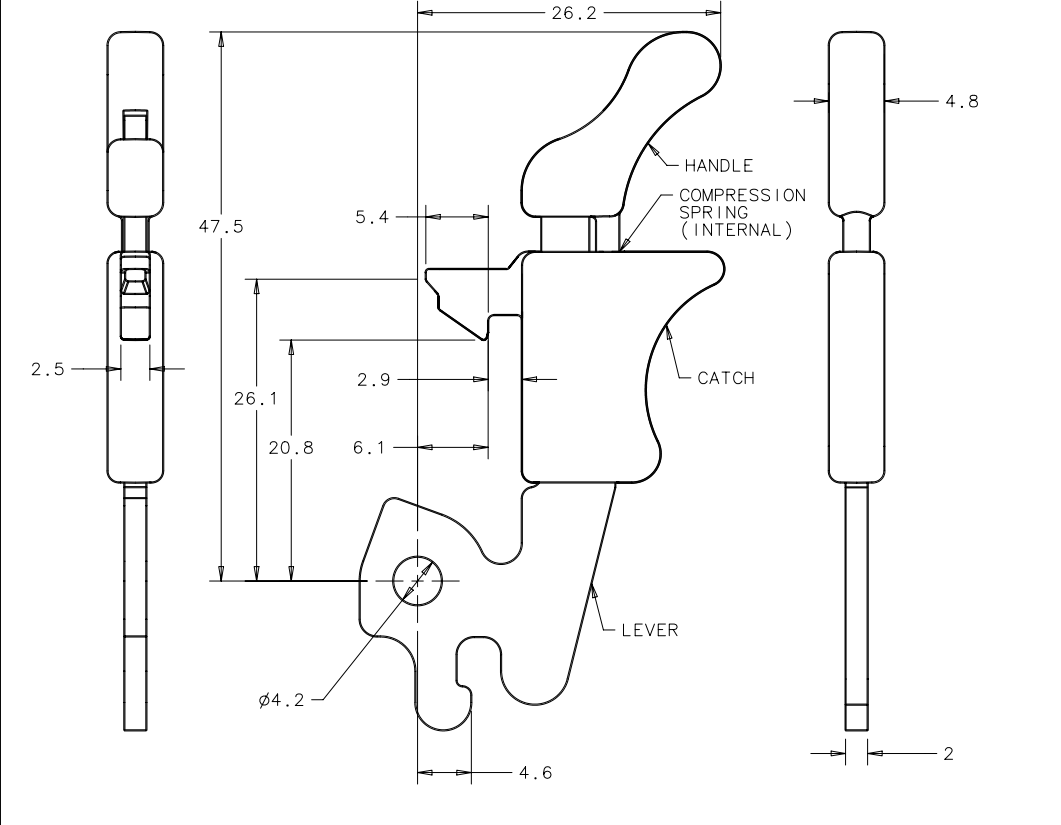
DATE: 27APR2005
DRAWN: RES
CHKD: AJH
SCALE: 2:1

DRAWING NUMBER: J-P7-A-523-11

REV	DATE	DRAWN/CHKD	DESCRIPTION	PART NUMBER	MATERIAL AND FINISH	COLOR
				P7-A-523-11	SEE NOTE A	SEE NOTE A
				P7-A-523-11-XXX	SEE NOTE A	SEE J-47-0-3 FOR COLOR ONLY

MILLIMETERS
ALL DIMENSIONS WITHOUT TOLERANCES ARE FOR REFERENCE ONLY.

THIRD ANGLE PROJECTION
A4 PAPER SIZE
SHEET 1 OF 2



- NOTES:
- A. MATERIAL AND FINISH:
 - LEVER: LOW CARBON STEEL, ZINC PLATE PLUS CHROMATE DIP
 - CATCH AND HANDLE: NYLON 6, 33% GLASS FILLED, UL 94 V0, BLACK
 - COMPRESSION SPRING AND U-BENT WASHER: 300 SERIES STAINLESS STEEL, NATURAL
 - B. PLATING TO MEET SOUTHCO COSMETIC SPECIFICATION S-121-02 CLASS C



PROPRIETARY ITEM - EXCEPT FOR USES EXPRESSLY GRANTED IN WRITING INFORMATION DISCLOSED HEREON IS CONFIDENTIAL AND ALL RIGHTS PATENT AND OTHERWISE ARE RESERVED BY SOUTHCO, INC.

EJECTOR
PMC 2.5mm FACEPLATE

DATE	DRAWN	CHKD	SCALE	DRAWING NUMBER
27APR2005	RES	AJH	1:1	J-P7-A-523-11

REV	DATE	DRAWN/CHKD	DESCRIPTION	PART NUMBER	MATERIAL AND FINISH	COLOR
				P7-A-523-11	SEE NOTE A	SEE NOTE A
				P7-A-523-11-XXX	SEE NOTE A	SEE J-47-0-3 FOR COLOR ONLY

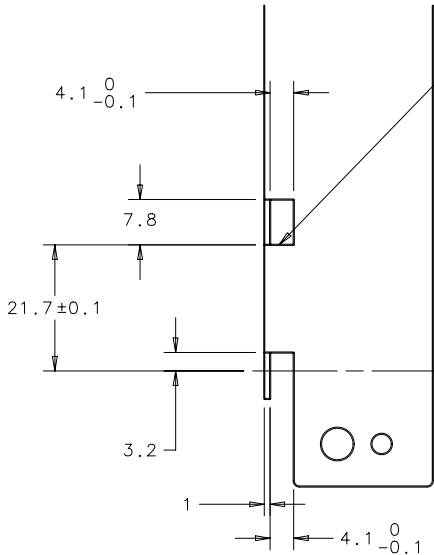
MILLIMETERS

ALL DIMENSIONS WITHOUT TOLERANCES ARE FOR REFERENCE ONLY.

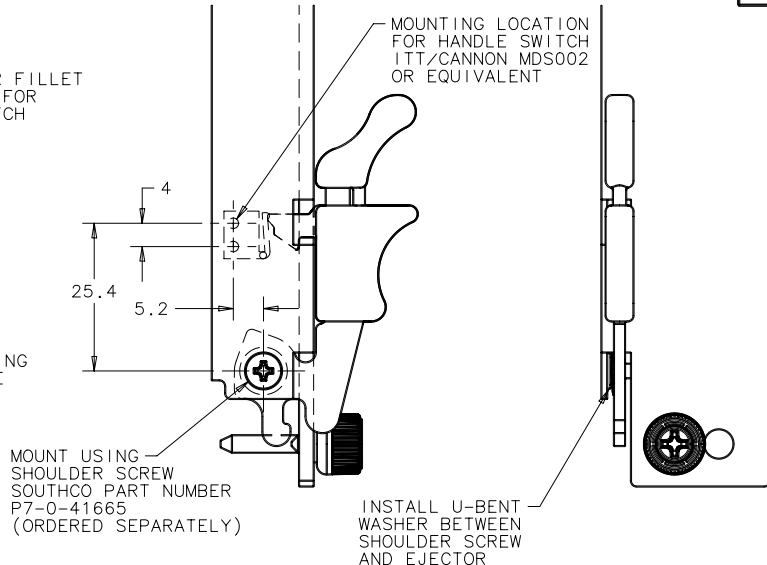
THIRD ANGLE PROJECTION

A4 PAPER SIZE

SHEET 2 OF 2



PANEL PREPARATION
FACEPLATE THICKNESS 2.5mm



EJECTOR INSTALLATION