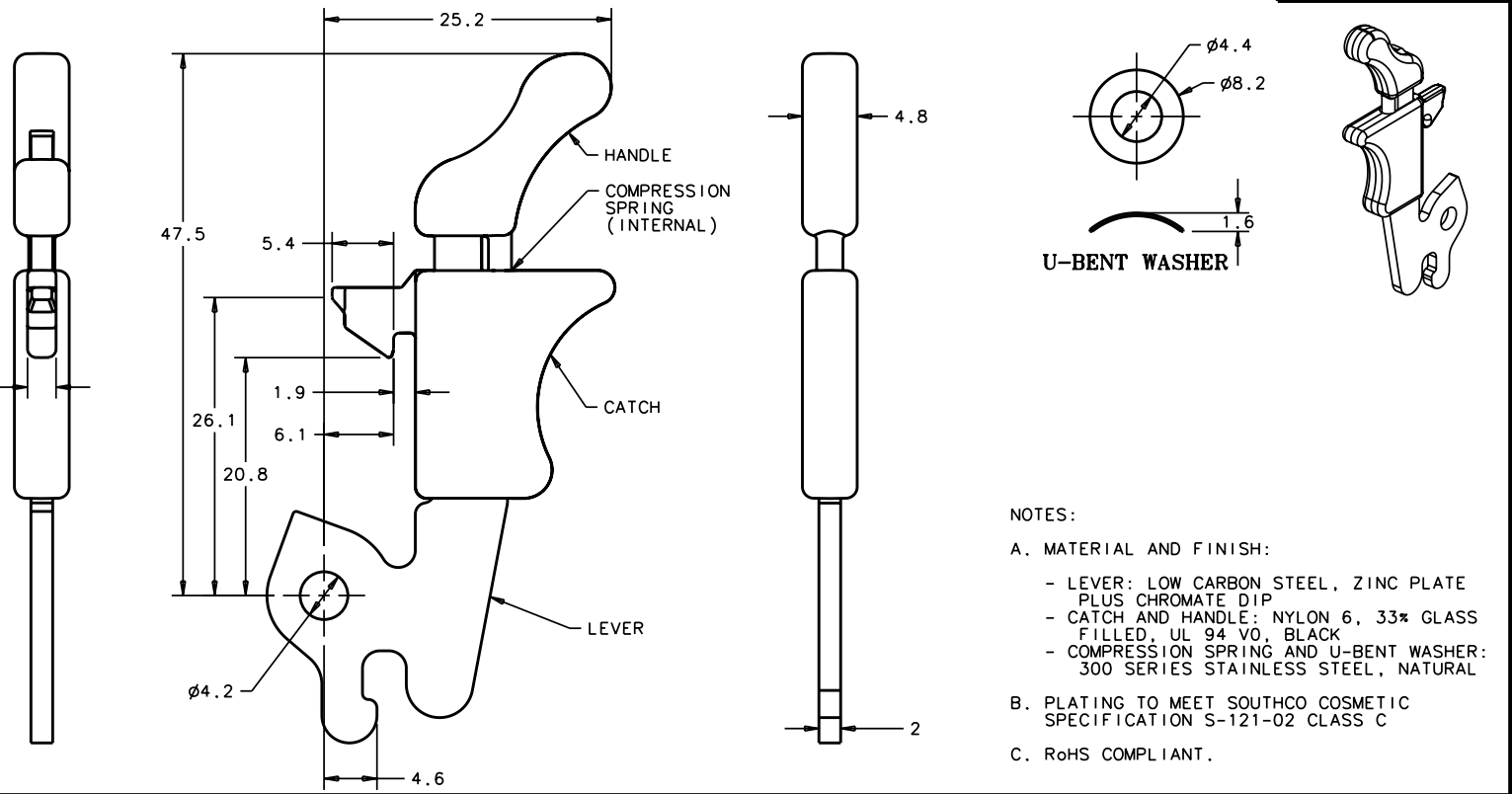
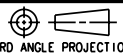



Southco		PROPRIETARY ITEM - EXCEPT FOR USES EXPRESSLY GRANTED IN WRITING INFORMATION DISCLOSED HEREON IS CONFIDENTIAL AND ALL RIGHTS PATENT AND OTHERWISE ARE RESERVED BY SOUTHCO, INC.		EJECTOR 1mm FACEPLATE, PMC COMPATIBLE		DATE	DRAWN	CHKD	SCALE	DRAWING NUMBER
4SEP2006		AJH/MDY		PRN: P2006-1240		29APR2005	RES	AJH	2:1	J-P7-A-513-11
DATE	DRAWN/CHKD	DESCRIPTION	PART NUMBER	MATERIAL AND FINISH	COLOR	MILLIMETERS				
			P7-A-513-11	SEE NOTE A	SEE NOTE A	ALL DIMENSIONS WITHOUT TOLERANCES ARE FOR REFERENCE ONLY.				
			P7-A-513-11-XXX	SEE NOTE A	SEE J-47-0-3 FOR COLOR ONLY					
						THIRD ANGLE PROJECTION		A4 PAPER SIZE		SHEET 1 OF 2



- NOTES:
- A. MATERIAL AND FINISH:
 - LEVER: LOW CARBON STEEL, ZINC PLATE PLUS CHROMATE DIP
 - CATCH AND HANDLE: NYLON 6, 33% GLASS FILLED, UL 94 V0, BLACK
 - COMPRESSION SPRING AND U-BENT WASHER: 300 SERIES STAINLESS STEEL, NATURAL
 - B. PLATING TO MEET SOUTHCO COSMETIC SPECIFICATION S-121-02 CLASS C
 - C. RoHS COMPLIANT.

Southco		PROPRIETARY ITEM - EXCEPT FOR USES EXPRESSLY GRANTED IN WRITING INFORMATION DISCLOSED HEREON IS CONFIDENTIAL AND ALL RIGHTS PATENT AND OTHERWISE ARE RESERVED BY SOUTHCO, INC.		EJECTOR 1mm FACEPLATE, PMC COMPATIBLE			DATE	DRAWN	CHKD	SCALE	DRAWING NUMBER
4SEP2006		AJH/MDY		PRN: P2006-1240		P7-A-513-11	29APR2005	RES	AJH	1:1	J-P7-A-513-11
DATE	DRAWN/CHKD	DESCRIPTION	PART NUMBER	MATERIAL AND FINISH	COLOR	MILLIMETERS					
			P7-A-513-11	SEE NOTE A	SEE NOTE A	ALL DIMENSIONS WITHOUT TOLERANCES ARE FOR REFERENCE ONLY.					
			P7-A-513-11-XXX	SEE NOTE A	SEE J-47-0-3 FOR COLOR ONLY	 					
SHEET 2 OF 2											

