
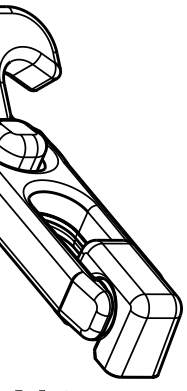
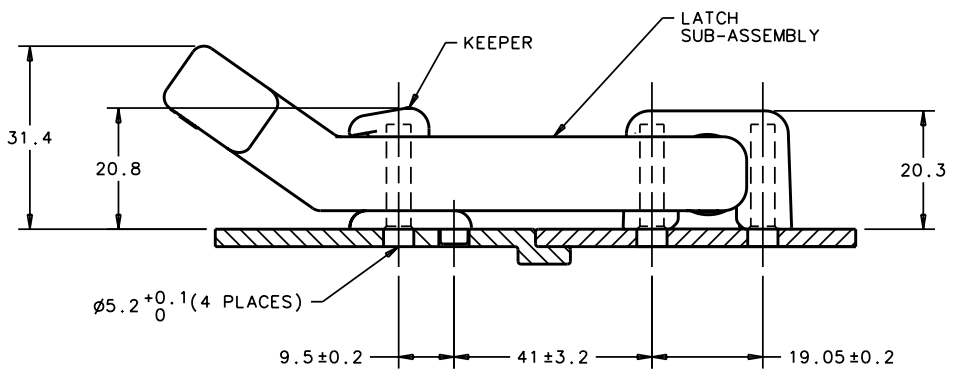
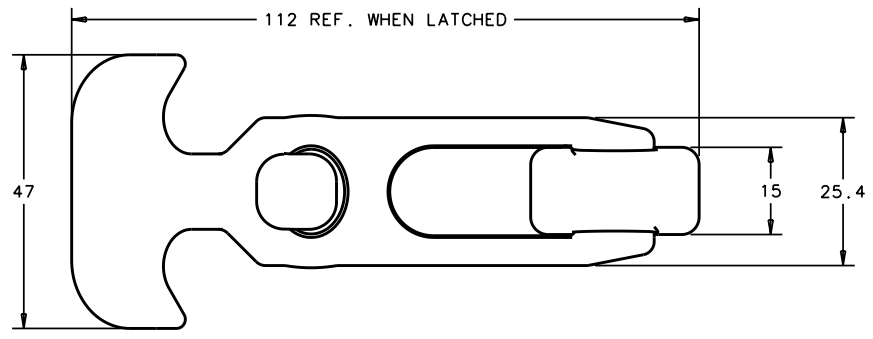


PROPRIETARY ITEM - EXCEPT FOR USES EXPRESSLY GRANTED IN WRITING INFORMATION DISCLOSED HEREON IS CONFIDENTIAL AND ALL RIGHTS PATENT AND OTHERWISE ARE RESERVED BY SOUTHCOD, INC.		FLEXIBLE DRAW LATCH - CONCEALED MOUNTING (M5 THREAD)			DATE 9-24-90	DRAWN pek	CHKD	SCALE 1:1	DRAWING NUMBER J-F7-52
HKD PRN: S-1-03 PRN: F7-41A LH PRN: P2002-0790	DESCRIPTION	PART NUMBER F7-52							<b>MILLIMETERS</b>  ALL DIMENSIONS WITHOUT TOLERANCES ARE FOR REFERENCE ONLY.
									A4 PAPER SIZE

CONSISTS OF:  
 TPE, BLACK  
 GLASS REINFORCED NYLON, BLACK.  
 REINFORCED NYLON, BLACK  
 ASSEMBLY, KEEPER, AND  
 SUB-ASSEMBLY, BULK.  
 PACKAGED ONE PER  
 PART NUMBER.  
 ) M5 THREAD SCREWS  
 ) PANEL THICKNESS PLUS 12.7.



SCALE 3:4