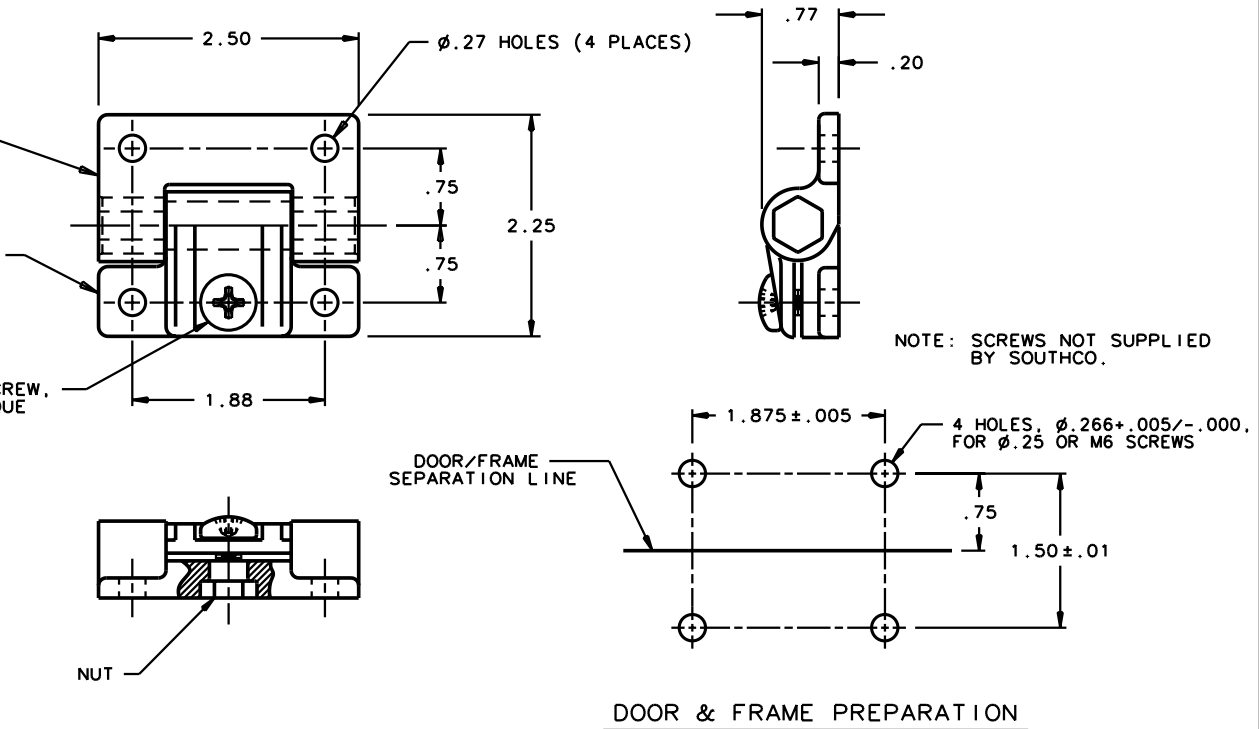


SOUTHCO No. E6 ADJUSTABLE FRICTION HINGE	DATE	DRAWN	CHKD	SCALE	DRAWING NUMBER
	8-17-81	JHV		NTS	J-E6-10-501-20

REVISIONS	ITEM	PART No.	MATERIAL	FINISH
P2001-0388 (SEE RECORD DWG.)	HINGE ASSEMBLY	E6-10-501-20		
	ADJUSTABLE LEAF		ACETAL	BLACK
	FIXED LEAF		ACETAL	BLACK
	ADJUSTMENT SCREW		STAINLESS STEEL	BLACK
	PIN		POLYCARBONATE	NATURAL
	NUT		STAINLESS STEEL	PASSIVATE

NOTE A: SHIPPED ASSEMBLED, BULK.
 FOR HINGE TO BE PACKAGED
 ONE PER BAG, ADD SUFFIX
 "-P" TO THE PART NUMBER.



PATENT RIGHTS GRANTED IN WRITING
 SOUTHCODING AND ALL RIGHTS PATENT
 SOUTHCO, INC.

ALL DIMENSIONS ARE IN INCHES.
 ALL DIMENSIONS WITHOUT TOLERANCES ARE REFERENCE.
 THIRD ANGLE PROJECTION DRAWING.

DRAWING NUMBER
J-E6-10-501-20