

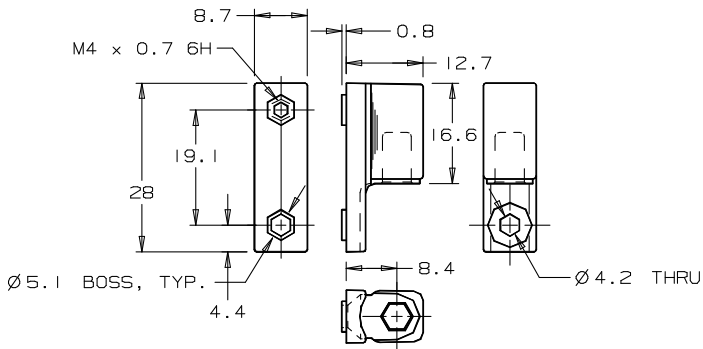


**SOUTHCO MINIATURE LIFT-OFF HINGE**  
IN-LINE; M4 THREAD

DATE	DRAWN	CHKD	SCALE	DRAWING NUMBER
14AUG92	JGK		1:1	J-96-140

REV.	DATE	BY-CHKD	REVISIONS	ITEM	COMPONENT	PART NO.	MATERIAL	FINISH
A	20 OCT 92	JGK	PRN: 96-50	ASSEMBLY		96-140		
B	09OCT96	SWD	PRN: S-93-23		MALE KNUCKLE		DIE CAST ZINC	BLACK POWDER COATED
					FEMALE KNUCKLE		DIE CAST ZINC	BLACK POWDER COATED

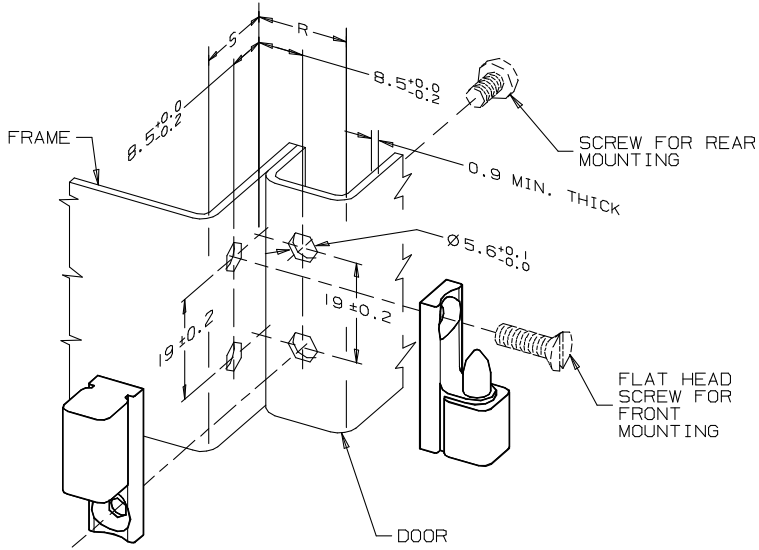
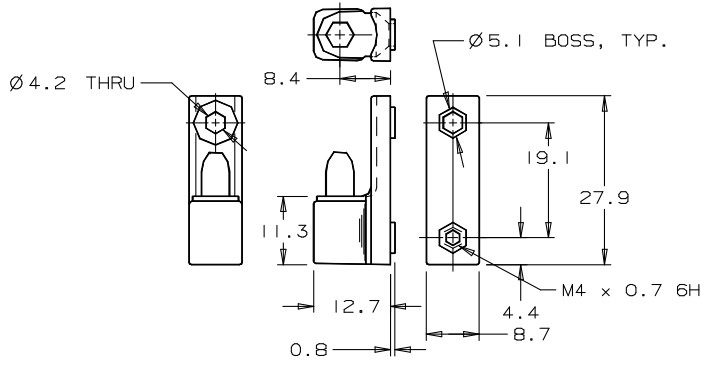
**FEMALE KNUCKLE**



- MOUNTING OPTIONS:**
- a.) FRONT MOUNTING - USE M4 X 0.7 6g FLAT HEAD MACHINE SCREW (ONE PER KNUCKLE)
  - or
  - b.) REAR MOUNTING - USE M4 X 0.7 6g SCREW, MAXIMUM LENGTH IS DOOR OR FRAME THICKNESS PLUS 5 mm. (ONE PER KNUCKLE)

FOR DOOR TO OPEN FULL 180°  
AT LEAST ONE OF THE DIMENSIONS  
R OR S MUST BE LESS THAN 16.7

**MALE KNUCKLE**



FORMATA 3/88

PROPRIETARY ITEM - EXCEPT FOR USES EXPRESSLY GRANTED IN WRITING INFORMATION DISCLOSED HEREON IS CONFIDENTIAL AND ALL RIGHTS PATENT AND OTHERWISE ARE RESERVED BY SOUTHCO, INC.

DIMENSIONS IN MILLIMETERS  
THIRD ANGLE PROJECTION

TOLERANCES UNLESS OTHERWISE NOTED.  
DECIMALS  
ONE PLACE (.X) ±0.4

DRAWING NUMBER
J-96-140