

PROPRIETARY ITEM - EXCEPT FOR USES EXPRESSLY GRANTED IN WRITING, INFORMATION DISCLOSED HEREIN AND OTHERWISE ARE RESERVED BY SOUTHCORP, INC.

Southco

REV. DATE DRAWN REVISION

A	29AUG94	JAD	PRN: 62-459
B	29DEC94	HMC/HAR	PRN: 62-466
C	13SEP95	LJT	PRN: 62-503B
D	07JAN96	YNU	PRN: PK-23
E	20JAN96	YNU	PRN: PK-31
F	07OCT2004	MJR/MAY	PRN: P2004-1144

DATE: 08JUN94
SCALE: 1:1
DRAWN: HMC
CHKD: BMC

DRAWING NUMBER: J-62-47

ALL DIMENSIONS ARE IN MILLIMETERS. ALL DIMENSIONS WITHOUT TOLERANCES ARE REFERENCE.

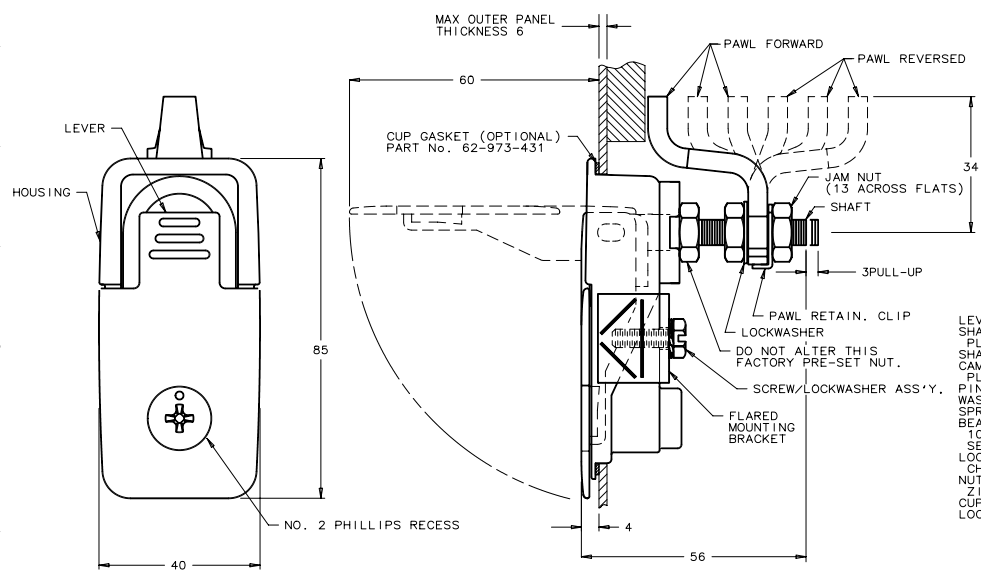
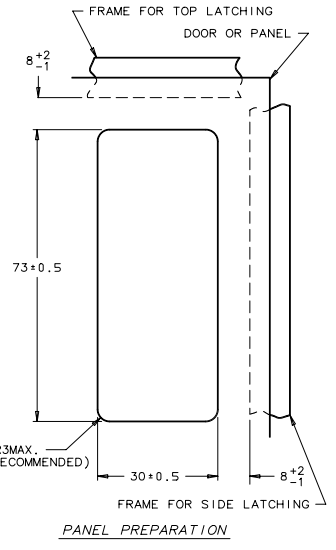
THIRD ANGLE PROJECTION

A3 PAPER SIZE

GRIP RANGE		INDIVIDUALLY PACKAGED ASSEMBLY PART NUMBER			
MIN-MAX	MIN-MAX	TEXTURED CHROME	POLISHED CHROME	BLACK POWDER COATED	SILVER METALLIC POLYESTER URETHANE POWDER COATED
6 - 16	56 - 66	62-43-101-2	62-43-111-2	62-43-151-2	62-43-161-2
16 - 26	46 - 56	62-43-201-2	62-43-211-2	62-43-251-2	62-43-261-2
26 - 36	36 - 46	62-43-301-2	62-43-311-2	62-43-351-2	62-43-361-2

GRIP RANGE		BULK LAYER PACKED ASSEMBLY PART NUMBER			
MIN-MAX	MIN-MAX	TEXTURED CHROME	POLISHED CHROME	BLACK POWDER COATED	SILVER METALLIC POLYESTER URETHANE POWDER COATED
6 - 16	56 - 66	62-43-101-3	62-43-111-3	62-43-151-3	62-43-161-3
16 - 26	46 - 56	62-43-201-3	62-43-211-3	62-43-251-3	62-43-261-3
26 - 36	36 - 46	62-43-301-3	62-43-311-3	62-43-351-3	62-43-361-3

- NOTES**
1. THREAD SIZE OF SHAFT IS M8 AND THE SCREW/ LOCKWASHER ASSEMBLY IS M5.
 2. THICKER PANELS REQUIRE A LONGER SCREW/ LOCKWASHER COMBINATION (NOT SUPPLIED).
 3. ASSEMBLE AS SHOWN AND ROTATE PAWL TO THE DESIRED LATCHING POSITION.
 4. PAWL SHOULD BE ADJUSTED TO GRIP MEASUREMENT WITH THE DOOR OPEN AND THE LEVER IN THE LATCHED POSITION. USE TWO WRENCHES TO TIGHTEN JAM NUTS.
 5. FOR MOST EFFECTIVE ENVIRONMENTAL SEALING, USE A CUP GASKET AND SEAL THE MOUNTING SCREW THREADS.



MATERIAL AND FINISH

LEVER, HOUSING AND LOCK PLUG: DIE CAST ZINC, SEE TABLE.
 SHAFT: 12L14 STEEL, ZINC ALLOY PLATE BRIGHT CHROMATE, PLUS SEALER OR WITH BLACK ORGANIC COATING.
 PLUS SEALER OR WITH BLACK ORGANIC COATING.
 SHAFT O-RING: SYNTHETIC RUBBER, NATURAL
 CAM: 1010 STEEL, ZINC ALLOY PLATE BRIGHT CHROMATE, PLUS SEALER OR WITH BLACK ORGANIC COATING.
 PIN: 303 STAINLESS STEEL, PASSIVATED.
 WASHER: 1010 STEEL, ZINC PLATED BRIGHT OR BLACK OXIDE.
 SPRINGS: 302 STAINLESS STEEL, PASSIVATED.
 BEARING WASHER, PAWL, PAWL RETAINING CLIP & BRACKET: 1010 STEEL, ZINC ALLOY PLATE BRIGHT CHROMATE, PLUS SEALER.
 LOCKWASHER: SPRING STEEL, ZINC ALLOY PLATE BRIGHT CHROMATE, PLUS SEALER.
 NUTS & SCREW/LOCKWASHER ASS'Y.: LOW CARBON STEEL, ZINC ALLOY PLATE BRIGHT CHROMATE, PLUS SEALER.
 CUP GASKET: SYNTHETIC RUBBER, NATURAL.
 LOCK PLATE: STAINLESS STEEL, PASSIVATED OR BLACK OXIDE.