

427-4817

# Water Proof B/W Camera with IR-LED

## Installation / Instruction Manual

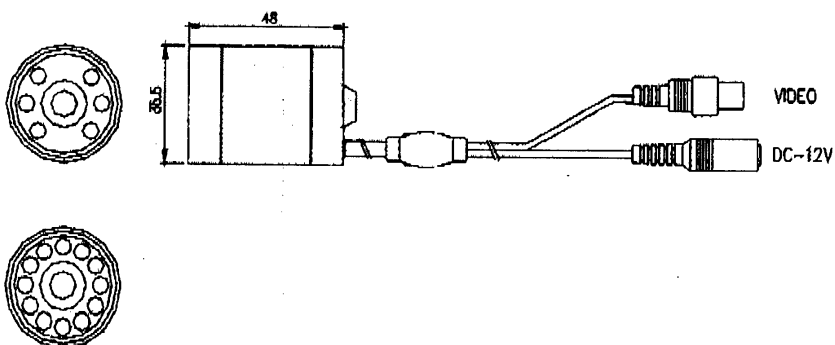
### CAUTION AND WARNING

1. The ideal camera for outdoor use. It is possible to dip the camera into the water.
2. Choose an ideal location for the camera, since a camera unit must be protected against vibration.
3. Be careful not to scratch the camera unit, especially lens glass.
4. Use and store your camera within the temperature (-10 °C ~ +50°C).
5. Handle the camera carefully. Dropping it can cause serious damage to the camera.
6. Please avoid any direct sun light into the lens.
7. Use the AC adaptor 12V DC regulated.

### SPECIFICATION

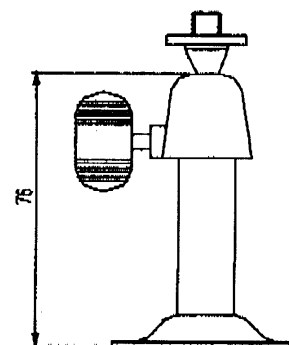
EIA	CCIR	EIA	CCIR
1/3" SONY B/W CCD		45dB or more (AGC off)	
250,000	290,000	$\gamma = 0.45$	
2 : 1 Interlace		Automatic Gain Control	
1.0Vp-p (Sync. Negative) Termination 75 $\Omega$		150 mA Max. (at DC 12V with 6 white LEDs)	
0.1 Lux (LED OFF)		Regulated DC 12V	
Hori. : 400 TV-line		1/60 ~ 1/100,000 second	1/50 ~ 100,000 second
Fixed Focus Lens		RCA or BNC	
Auto-iris controlled by electronic system		-10°C ~ +50°C	
Approx. 210 g		12EA (190mA Max.)	

### DIMENSIONS



12 LEDs is optional

### MOUNTING BRACKET



Note : All specification is subject to change without notice to improve quality.