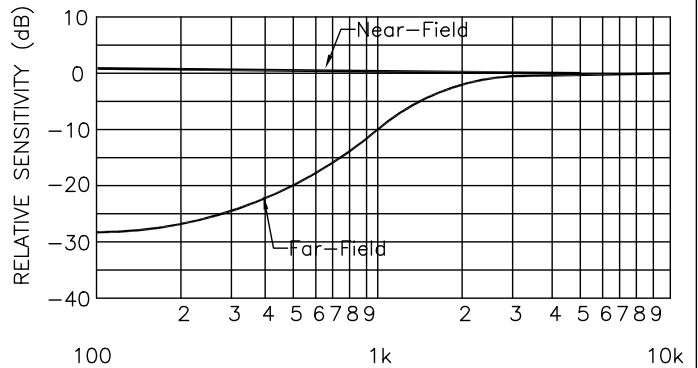
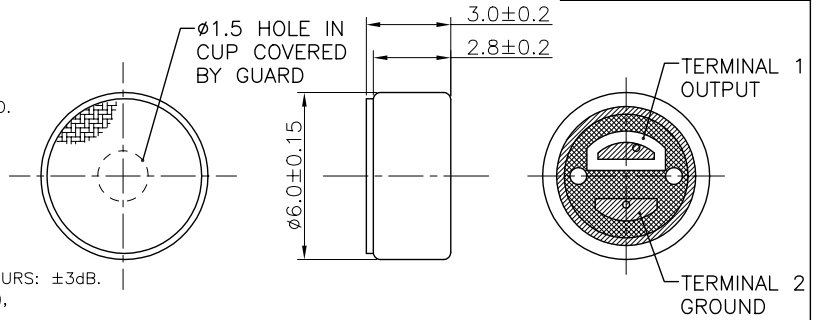


MD6030NSC-0

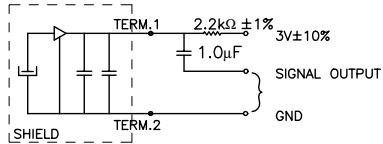
SHT 1.1 & 2.1

NOTES:

- 1. SENSITIVITY: -37 ± 3 dB re 1.0V/Pa(N/m²) AT 1kHz 22 \pm 5°C.
- 2. IMPEDANCE: LESS THAN 2.2k Ω (1kHz).
- 3. STANDARD VOLTAGE: 3.0V.
- 4. RANGE OF OPERATING VOLTAGE: 2.5V TO 10.0V.
- 5. CURRENT DRAIN: 0.5mA MAX.
- 6. S/N RATIO: GREATER THAN OR EQUAL TO 60dB.
- 7. MAXIMUM INPUT SOUND PRESSURE LEVEL: 120dB.
- 8. BOTH 33pF & 10pF CAPACITORS ACROSS OUTPUT & GROUND.
- 9. SENSITIVITY REDUCTION: WITHIN -3dB AT 2.5V.
- 10. NOMINAL WEIGHT: .190g.
- 11. ELECTRET TYPE: CHARGED DIAPHRAGM/FOIL.
- 12. DIRECTIVITY: NOISE CANCELING.
- 13. P.C. BOARD TYPE: SOLDER.
- 14. OPERATING TEMPERATURE: -25°C TO +70°C (SENSITIVITY WITHIN OPERATING TEMPERATURE ± 10 dB).
- 15. STORAGE TEMPERATURE: -40°C TO +85°C.
- 16. SENSITIVITY CHANGE DUE TO +40°C AT 95% RH FOR 240 HOURS: ± 3 dB.
- 17. SENSITIVITY CHANGE AFTER EXPOSURE TO -40°C(45 MINUTES), +20°C(10 MINUTES), +85°C(45 MINUTES), +20°C(10 MINUTES), 27 CYCLES TOTAL(THE MEASUREMENT TO BE DONE AFTER 2 HOURS OF CONDITIONING AT 20°C): ± 3 dB.
- 18. SENSITIVITY CHANGE AFTER -40°C FOR 96 HOURS: THE MICROPHONE MUST OPERATE WITHIN ITS SENSITIVITY SPECIFICATIONS.
- 19. SENSITIVITY CHANGE AFTER +80°C FOR 96 HOURS: THE MICROPHONE MUST OPERATE WITHIN ITS SENSITIVITY SPECIFICATIONS.
- 20. ESD PERFORMANCE: THE UNIT MUST OPERATE WITHIN ITS SENSITIVITY SPECIFICATION AFTER 10kV OF ESD USING THE HUMAN BODY MODEL.
- 21. SENSITIVITY CHANGE AFTER VIBRATING THE MICROPHONE WITH 10Hz TO 55Hz AT 1.52mm(PEAK TO PEAK) FOR 2 HOURS EACH AXIS: THE MICROPHONE MUST OPERATE WITHIN ITS SENSITIVITY SPECIFICATIONS.
- 22. SENSITIVITY CHANGE AFTER BEING DROPPED ON EACH AXIS FROM A HEIGHT OF 1m ONTO A METAL PLATE: THE MICROPHONE MUST OPERATE WITHIN ITS SENSITIVITY SPECIFICATIONS.
- 23. PULL STRENGTH OF EACH SOLDER PAD: 0.5kgf(4.9N).



TEST CIRCUIT:



DIMENSIONS IN MILLIMETERS

CONFIDENTIAL, DON'T RELEASE TO THIRD PARTY.

RELEASE LEVEL	ISSUE
RELEASED	C

KNOWLES ELECTRONICS
ITASCA, ILLINOIS U.S.A.

SCALE:	5 : 1	DR. BY	DATE
DO NOT SCALE DRAWING		K.Z.	10/20/03
TITLE:	MICROPHONE SPECIFICATIONS	CK. BY	DATE
	MD6030NSC-0	L.C.	10/20/03
	SHT 1.1 & 2.1	APP. BY	DATE
		S.Y.	10/20/03