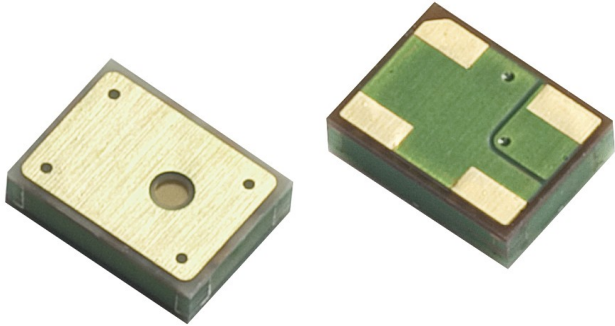


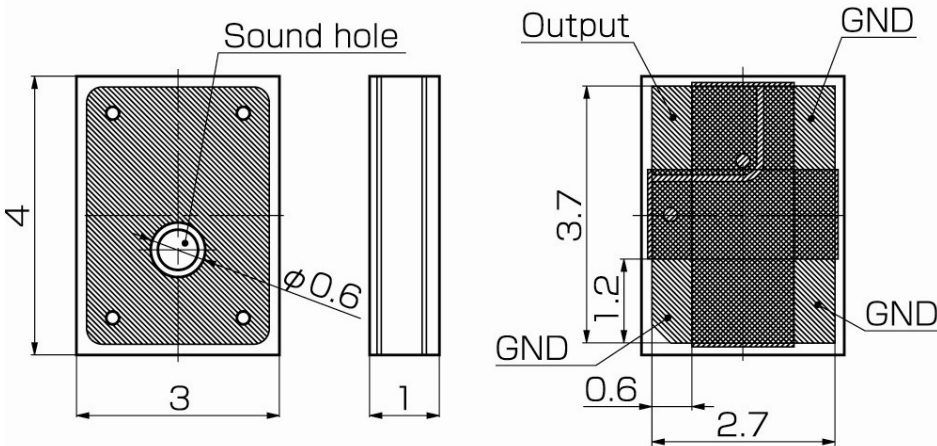
MAB-03A-T



- Analog Reflow Microphone
- Omni-directional
- Very Small Size
- Surface Mount Electret Design

Specifications:

Sensitivity	-44 ± 3 dB
Rated Voltage	2.0 V
Operating Voltage	1.0-10.0 V
Current Consumption	500 μA (max)
S/N Ratio	55 dB (min)
Directivity	Omni
Operation Temp.	-30°C to +70°C
External Size	3 x 4 x 1mm
Mass	<0.5 g



Frequency Response

