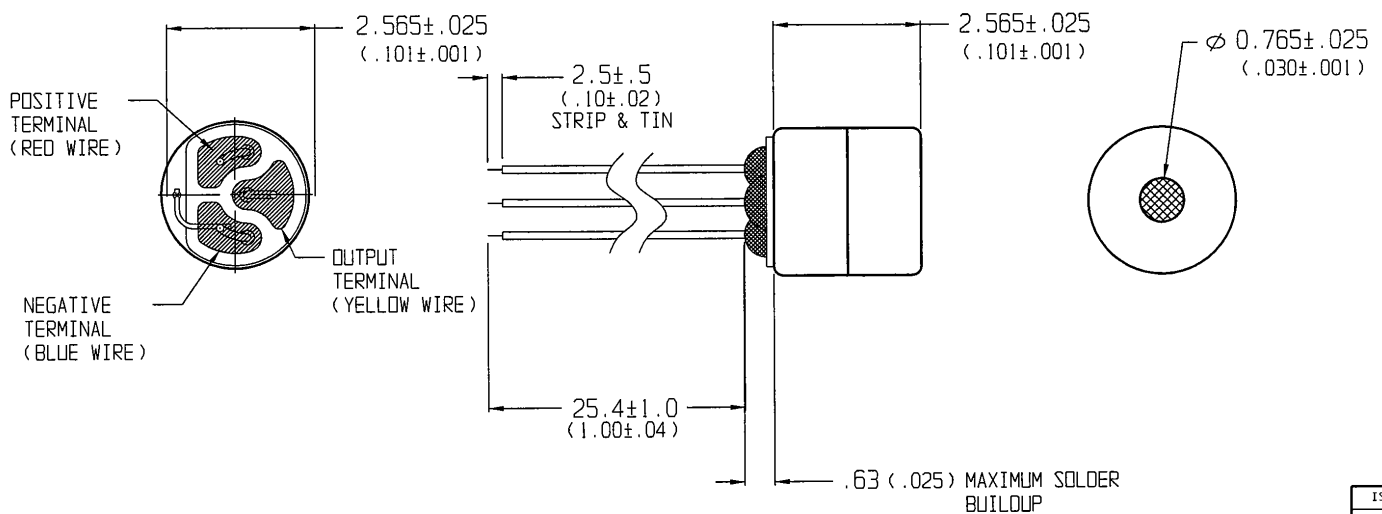


FG-3629-P16  
SHT 1.1

NOTE:

NOT PICTURED: SILICONE TUBE FOR STRAIN RELIEF.



DIMENSIONS IN MILLIMETERS (INCHES)

ISSUE

B

KNOWLES ELECTRONICS

KNOWLES ELECTRONICS, INC., ITASCA, ILLINOIS U.S.A.  
KNOWLES ELECTRONICS, CO., BURGESS HILL, SUSSEX, ENGLAND

SCALE: 10:1

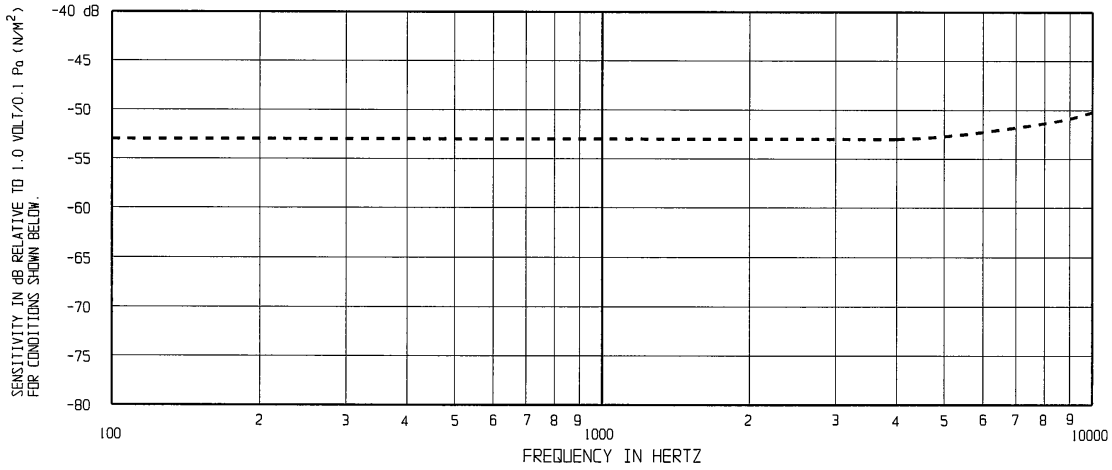
DO NOT SCALE DRAWING

I

TITLE: MICROPHONE  
OUTLINE DRAWING

FG-3629-P16  
SHT 1.1

DR. BY	DATE
AB	8-30-02
CK. BY	DATE
TKW	9-6-02
APP. BY	DATE
GJP	9-9-02

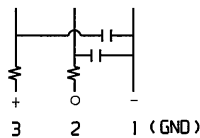


FREQUENCY	SENSITIVITY			DEVICE CONFORMITY	
	MIN.	NOM.	MAX.	RANGE OF DEVIATION FROM 1 KHz	
100	---	-53.0	---	-3.0	+3.0
1000	-56.0	-53.0	-50.0	0.0	0.0
10000	---	-50.0	---	0.0	+6.0

- NOTES: 1. CASE CONNECTED TO NEGATIVE TERMINAL.  
 2. MICROPHONE TO BE FUNCTIONAL WITH 1.6 VDC SUPPLY.  
 3. TYPICAL SENSITIVITY TO HUMIDITY AT 1000HZ IS 0.06 dB/%RH  
 4. SENSITIVITY AND NOISE VALUES INDICATED ON THIS SPECIFICATION ARE VALID AT 50% HUMIDITY.

DC SUPPLY	AMPLIFIER CURRENT DRAIN	SENSITIVITY CHANGE ON REDUCING SUPPLY TO .9VDC	"A" WEIGHTED NOISE (1 KHz EQUIVALENT SPL)	OUTPUT IMPEDANCE OHMS			CAPACITANCE ±50%	
				MIN.	NOM.	MAX.	1-2	1-3
1.3V	50uA MAX.	3 dB MAX.	28.0 dB MAX.	2800	4400	6800	33pF	33pF

CAPACITANCE PROBE POINTS



ISSUE  
B

KNOWLES ELECTRONICS

KNOWLES ELECTRONICS, INC. ITASCA, ILLINOIS U.S.A.  
 KNOWLES ELECTRONICS, CO., BURGESS HILL, SUSSEX, ENGLAND

When test limits are used to establish incoming inspection acceptance/rejection criteria, correlation of test equipment with Knowles is also required for elimination of equipment and test method variations.

TITLE: MICROPHONE PERFORMANCE SPECIFICATION

FG-3629-P16  
SHT 2.1

DR. BY	DATE
AB	8-30-02
CK. BY	DATE
TKW	9-6-02
APP. BY	DATE
GJP	9-9-02