

Part Number: POM-2246S-2-R



Features

- Omnidirectional
- Super clarity, distortion-free response
- Solderless type mounting
- This part is RoHS 2002/95/EC Compliant

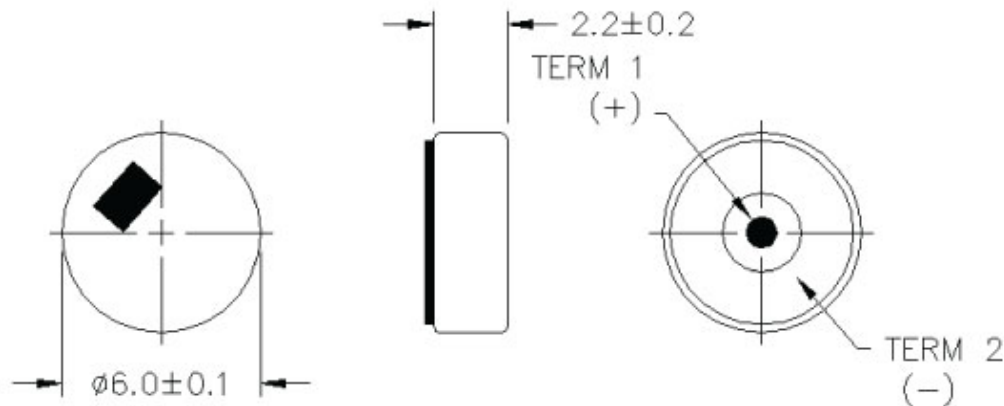
Electrical Specifications

- | | |
|-------------------|-----------------|
| Directivity | Omnidirectional |
| Impedance | 2.2 kOhm |
| Operating Voltage | 2 Vdc |
| Package Size | 6 x 2.2 mm |
| Sensitivity | -46 +/- 3 dB |

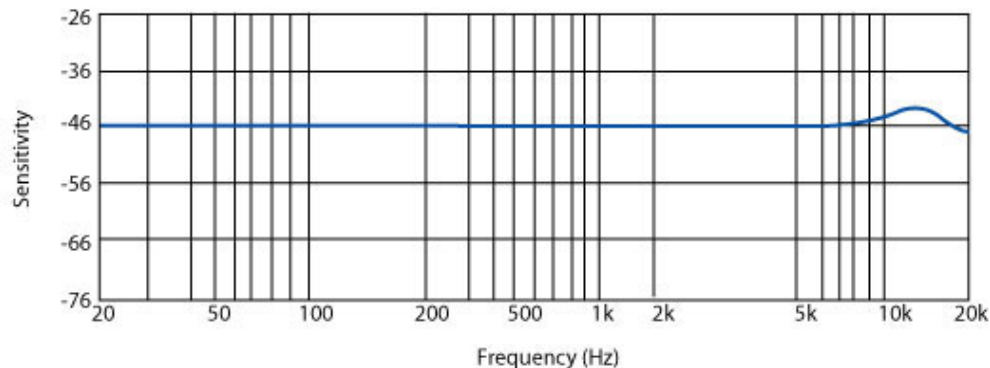
Environmentally friendly

Mechanical

Dimensions are in millimeters, tolerance is ± 0.5 unless otherwise specified.



Performance



For application notes and detail drawing specifications, please consult www.projectsunlimited.com.

Specifications subject to change without notice.

© 2006, Projects Unlimited Inc., All Rights Reserved.