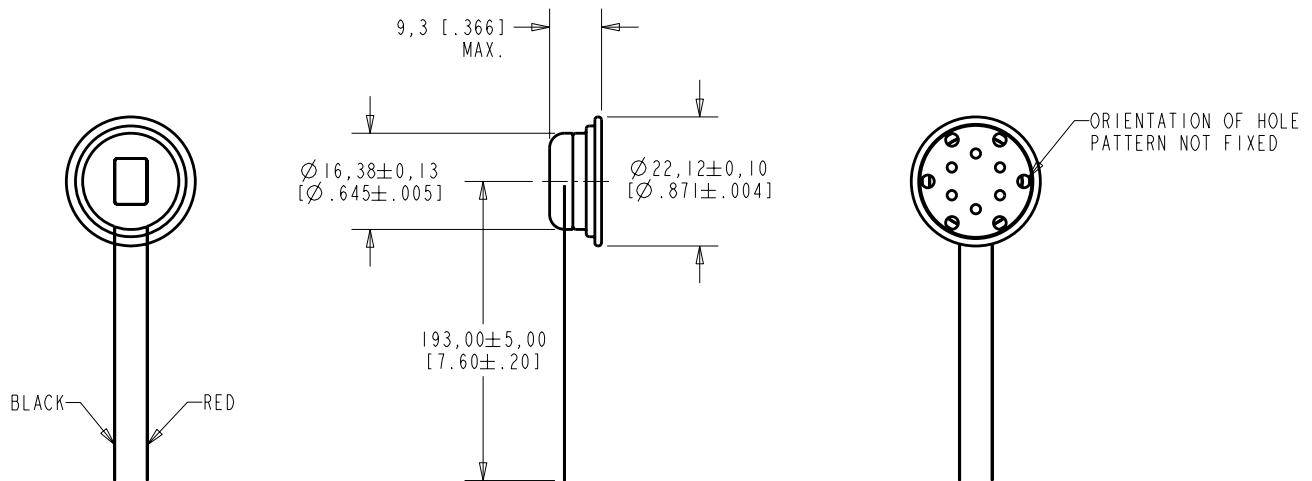


MR-23151-000  
SHT 1.1



DIMENSIONS IN MILLIMETERS [INCHES]

**KNOWLES ELECTRONICS**  
ITASCA, ILLINOIS U.S.A.

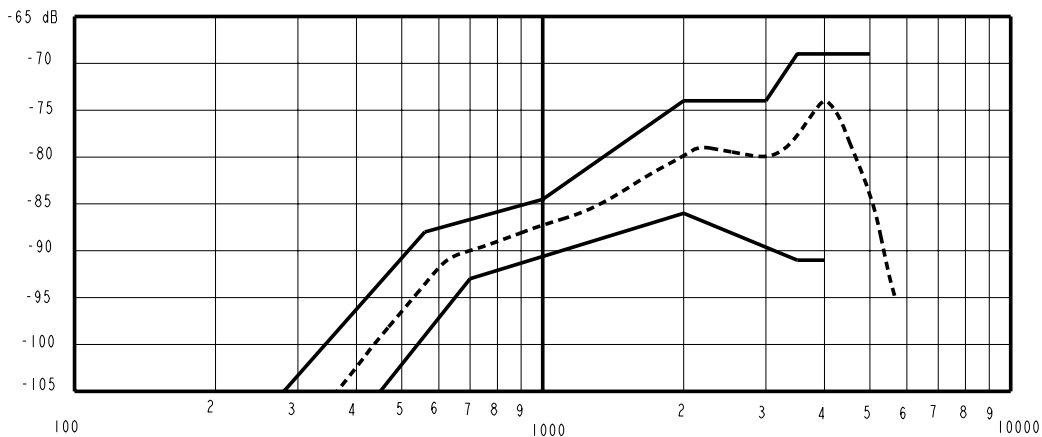
Revision	C.O. #	Implementation Date	RELEASE LEVEL	REVISION
			Released	A
A	M10101178	8-21-06		
SCALE: 1:1			DR. BY	DATE
DO NOT SCALE DRAWING			LSY	8-21-06
TITLE: WATERPROOF MICROPHONE			CK. BY	DATE
MR-23151-000			GJP	8-25-06
OUTLINE DRAWING			APP. BY	DATE
SHT 1.1			GJP	8-25-06

RE111ASIZE.FRM Rev: B

NO DAMPING

MR-23151-000  
SHEET 2.1

SENSITIVITY IN dB RELATIVE TO 1.0 VOLT/0.1 Pa (N/M<sup>2</sup>)  
FOR CONDITIONS SHOWN BELOW.



NOTES:  
1.

FREQUENCY	SENSITIVITY		FREQUENCY IN HERTZ
	MIN.	MAX.	
280	---	-105.0	---
450	-105.0	---	---
560	---	-88.0	---
700	-93.0	---	---
1000	-90.5	-84.5	---
2000	-86.0	-74.0	---
3000	---	-74.0	---
3500	-91.0	-69.0	---
4000	-91.0	---	---
5000	---	-69.0	---

2. INDIVIDUAL SPECIFICATIONS.

LOAD RESISTANCE ON OUTPUT FOR SENSITIVITY MEASUREMENT OHMS	DCR @ 20°C ±10% OHMS	OUTPUT IMPEDANCE @1kHz OHMS
300	75.5	300

Revision	C.O. #	Implementation Date	RELEASE LEVEL	REVISION
A	M1010178	8-21-06	Released	A

WHEN TEST LIMITS ARE USED TO ESTABLISH INCOMING INSPECTION ACCEPTANCE/REJECTION CRITERIA, CORRELATION OF TEST EQUIPMENT WITH KNOWLES IS ALSO REQUIRED FOR ELIMINATION OF EQUIPMENT AND TEST METHOD VARIATION		DR. BY	DATE
		LSY	8-21-06
TITLE: <b>WATERPROOF MICROPHONE</b>		CK. BY	DATE
		GJP	8-25-06
PERFORMANCE SPECIFICATION		APP. BY	DATE
		GJP	8-25-06

**KNOWLES ELECTRONICS**  
ITASCA, ILLINOIS U.S.A.

**WATERPROOF MICROPHONE**      **MR-23151-000**  
SHT 2.1