

**Part Number:** POM-1644L-NF-R



**Features**

Omnidirectional  
Super clarity, distortion-free response  
Available with lead wire type mounting  
This part is RoHS 2002/95/EC Compliant

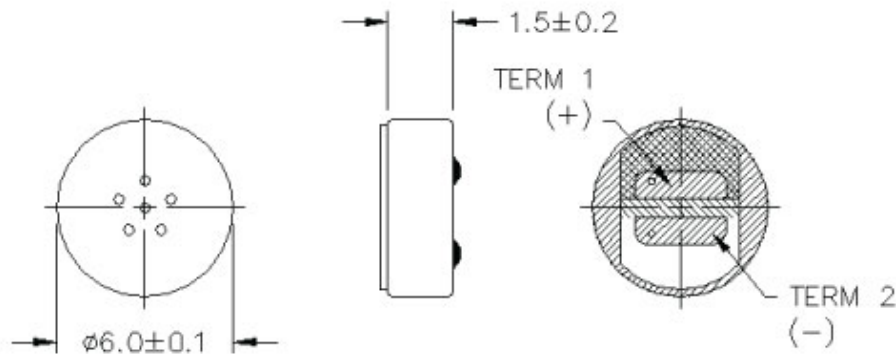
**Electrical Specifications**

Directivity	Omnidirectional
Impedance	2.2 kOhm
Operating Voltage	2 Vdc
Package Size	6 x 1.5 mm
Sensitivity	-44 +/- 3 dB

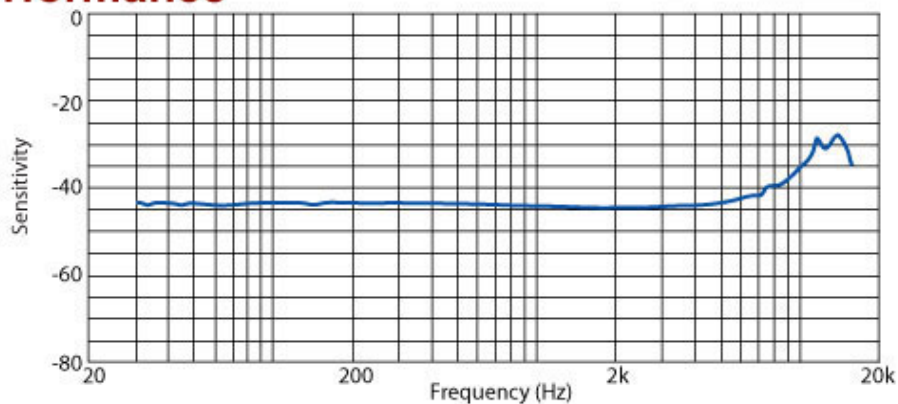
Environmentally friendly

**Mechanical**

*Dimensions are in millimeters, tolerance is  $\pm 0.5$  unless otherwise specified.*



**Performance**



**For application notes and detail drawing specifications, please consult [www.projectsunlimited.com](http://www.projectsunlimited.com).**

Specifications subject to change without notice.

© 2006, Projects Unlimited Inc., All Rights Reserved.