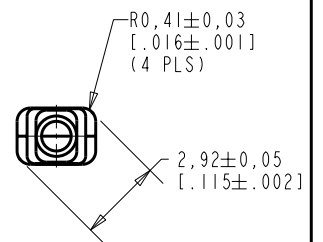
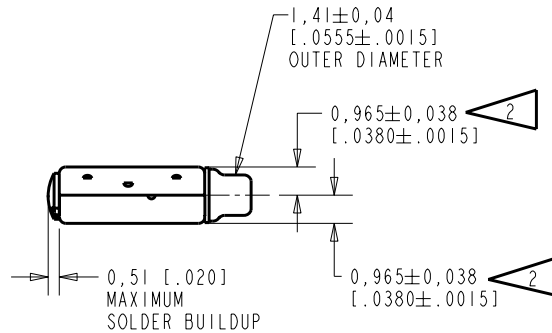
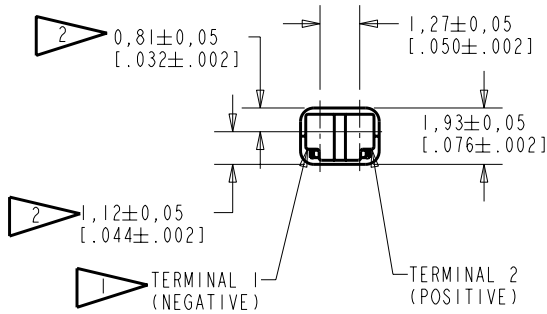
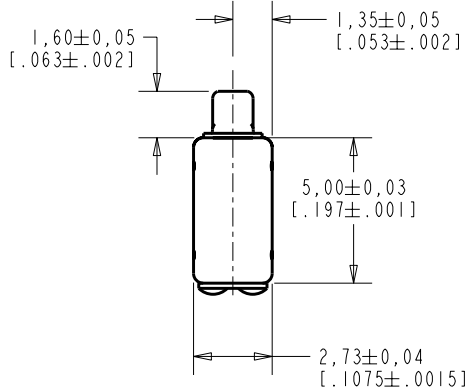


**FK-23451-000**  
SHT 1.1

NOTES:

- 1 A POSITIVE GOING VOLTAGE AT TERMINAL 2, RELATIVE TO TERMINAL 1, CAUSES A DECREASE IN PRESSURE AT THE SOUND OUTLET.
- 2 LOCATED FROM TWO SURFACES FOR CUSTOMER CONVENIENCE. ONLY APPLICABLE FROM ONE SURFACE, NOT TO BE USED TOGETHER.



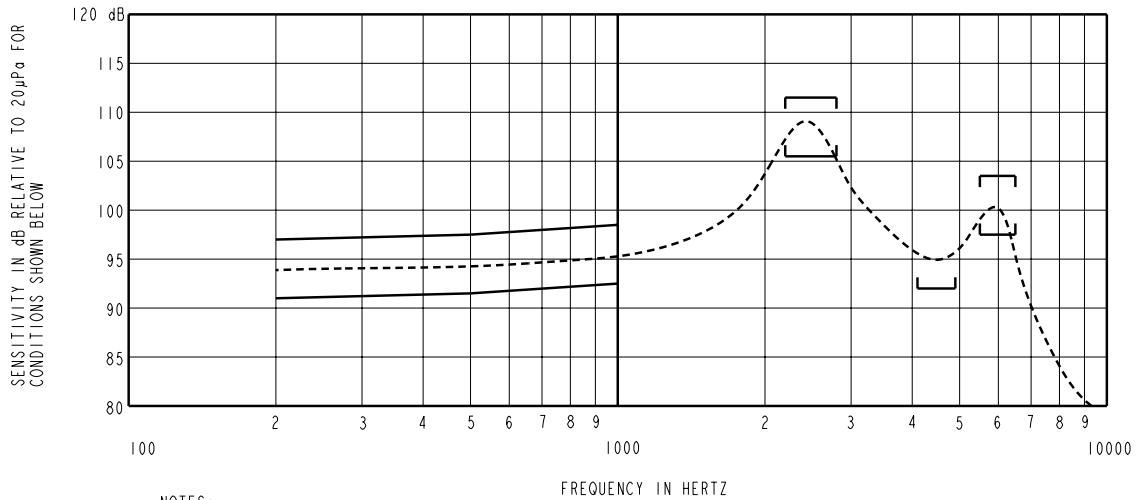
SCALE 2:1 DIMENSIONS IN MILLIMETERS [INCHES]

| Revision | C.O. #    | Implementation Date | RELEASE LEVEL | REVISION |
|----------|-----------|---------------------|---------------|----------|
| B        | C10103994 | 3-22-06             | Released      | B        |
| A        | C10103113 | 9-6-05              |               |          |

**KNOWLES ELECTRONICS**  
ITASCA, ILLINOIS U.S.A.

|                      |                 |              |              |
|----------------------|-----------------|--------------|--------------|
| SCALE:               | 5:1             | DR. BY       | DATE         |
| DO NOT SCALE DRAWING |                 | MM           | 9-6-05       |
| TITLE:               | RECEIVER        | FK-23451-000 | GJP 9-12-05  |
|                      | OUTLINE DRAWING | SHT 1.1      | APP. BY DATE |
|                      |                 |              | GJP 9-12-05  |

KE111ASTZE.FRM Rev: B



NOTES:

1. MEASUREMENTS MADE USING 10mm (.394") OF 1mm (.039") ID TUBE CONNECTED TO A SIMULATED ANSI S3.3-1960 TYPE HA-3 COUPLER. (T3420 AND B&K DB0138)

2.

SENSITIVITY

| FREQUENCY | MIN.  | MAX.  |
|-----------|-------|-------|
| 200       | 91.0  | 97.0  |
| 500       | 91.5  | 97.5  |
| 1000      | 92.5  | 98.5  |
| 2200-2800 | 105.5 | 111.5 |
| 4100-4900 | 92.0  | ---   |
| 5500-6500 | 97.5  | 103.5 |

- 3. RESPONSE, IMPEDANCE, AND DISTORTION MEASUREMENTS MADE USING THE ELECTRICAL TEST CONDITIONS SHOWN BELOW.
- 4. ELECTRICAL SOURCE IMPEDANCE MUST BE GREATER THAN 20 TIMES 1kHz IMPEDANCE FOR TEST CONDITIONS SHOWN BELOW.
- 5. INDIVIDUAL SPECIFICATIONS.

| PORT LOCATION | IMPEDANCE OHMS ±15% |       | DCR @20°C OHMS ±10% | DISTORTION |         | ELECTRICAL TEST CONDITIONS |       |
|---------------|---------------------|-------|---------------------|------------|---------|----------------------------|-------|
|               | 1KHz                | 500Hz |                     | MAX. %     | FREQ Hz | AC mA RMS                  | DC mA |
| 12S           | 630                 | 450   | 360                 | 5          | 800     | 0.50                       | 0.00  |

| Revision | C.O. #    | Implementation Date | RELEASE LEVEL | REVISION |
|----------|-----------|---------------------|---------------|----------|
| B        | C10103994 | 3-22-06             | Released      | B        |
| A        | C10103113 | 9-6-05              |               |          |

**KNOWLES ELECTRONICS**  
**ITASCA, ILLINOIS U.S.A.**

|  |              |                |                 |
|--|--------------|----------------|-----------------|
| WHEN TEST LIMITS ARE USED TO ESTABLISH INCOMING INSPECTION ACCEPTANCE/REJECTION CRITERIA, CORRELATION OF TEST EQUIPMENT WITH KNOWLES IS ALSO REQUIRED FOR ELIMINATION OF EQUIPMENT AND TEST METHOD VARIATION |              | DR. BY<br>MMM  | DATE<br>9-6-05  |
| TITLE:<br>RECEIVER   | FK-23451-000 | CK. BY<br>GJP  | DATE<br>9-12-05 |
| PERFORMANCE SPECIFICATION  | SHT 2.1      | APP. BY<br>GJP | DATE<br>9-12-05 |