

**Part Number:** DUM-5246L-R



**Features**

Unidirectional  
Super clarity, distortion-free response  
Available with lead wire type mounting  
This part is RoHS 2002/95/EC Compliant

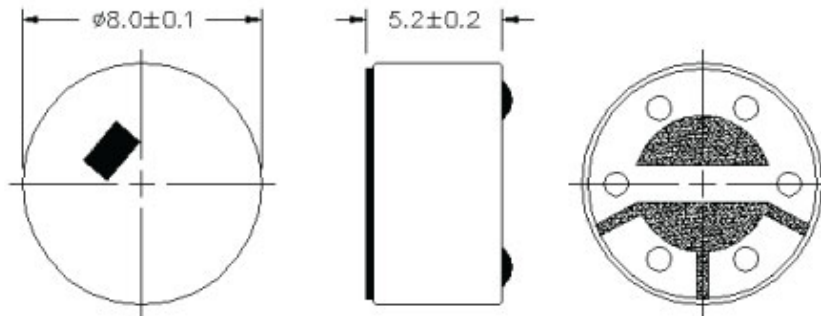
**Electrical Specifications**

Directivity	Unidirectional
Impedance	2.2 kOhm
Operating Voltage	2 Vdc
Package Size	8 x 5.2 mm
Sensitivity	-46 +/- 3 dB

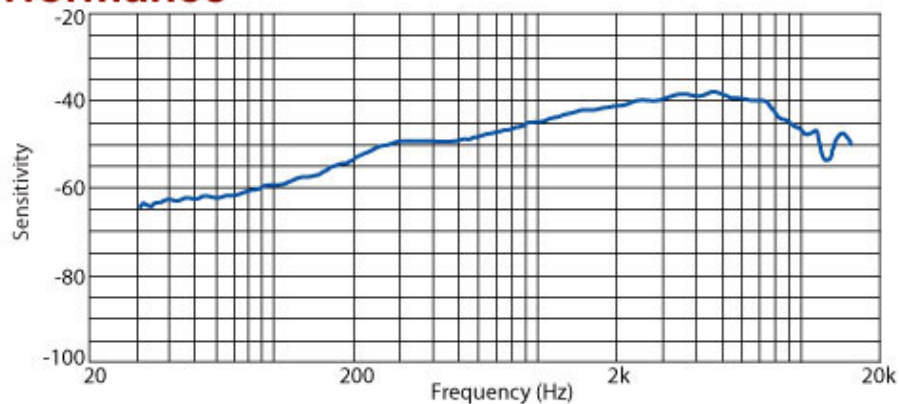
Environmentally friendly

**Mechanical**

*Dimensions are in millimeters, tolerance is  $\pm 0.5$  unless otherwise specified.*



**Performance**



**For application notes and detail drawing specifications, please consult [www.projectsunlimited.com](http://www.projectsunlimited.com).**

Specifications subject to change without notice.

© 2006, Projects Unlimited Inc., All Rights Reserved.