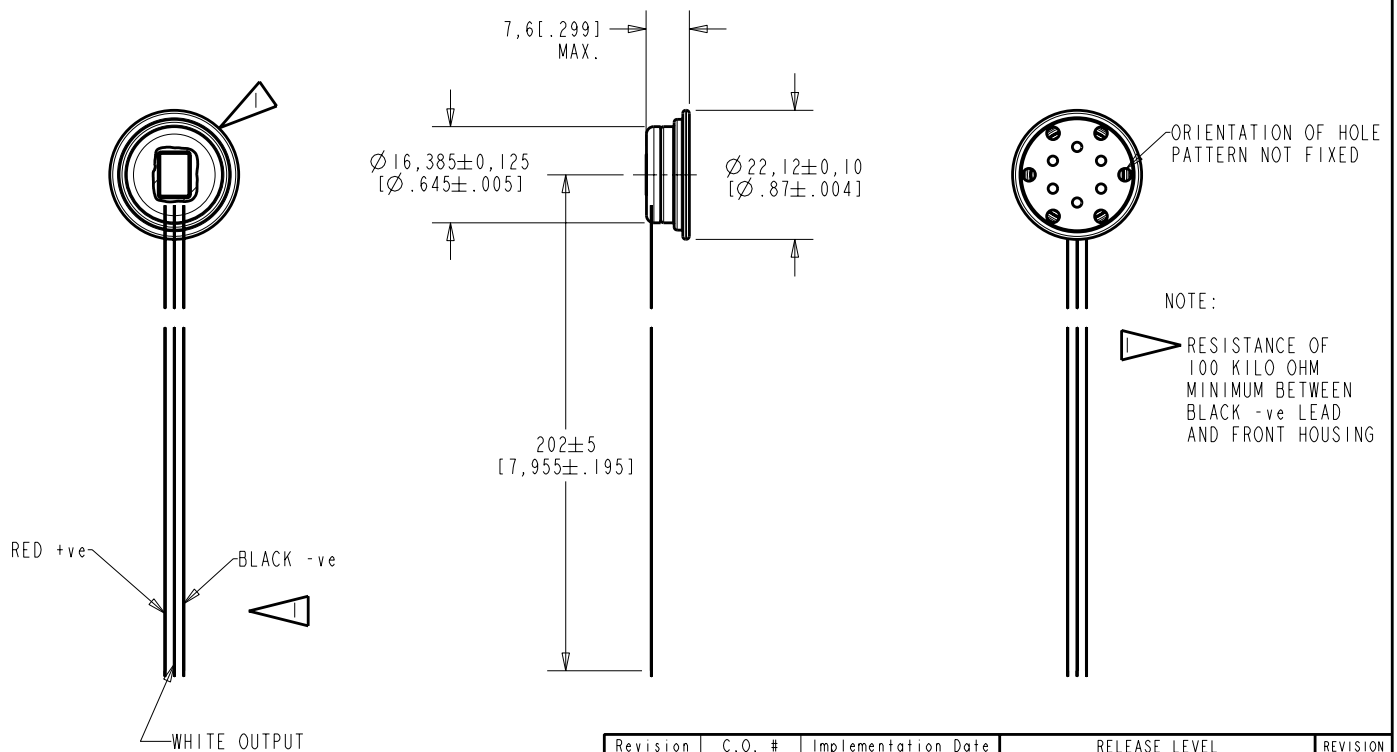


MR-28406-000
SHT 1.1



DIMENSIONS IN MILLIMETERS [INCHES]

Revision	C.O. #	Implementation Date	RELEASE LEVEL	REVISION
			Released	A
A	M10101178	8-21-06		
SCALE: 1:1			DR. BY	DATE
DO NOT SCALE DRAWING			LSY	8-21-06
			CK. BY	DATE
TITLE: WATERPROOF MICROPHONE		MR-28406-000	GJP	8-25-06
OUTLINE DRAWING		SHT 1.1	APP. BY	DATE
			GJP	8-25-06

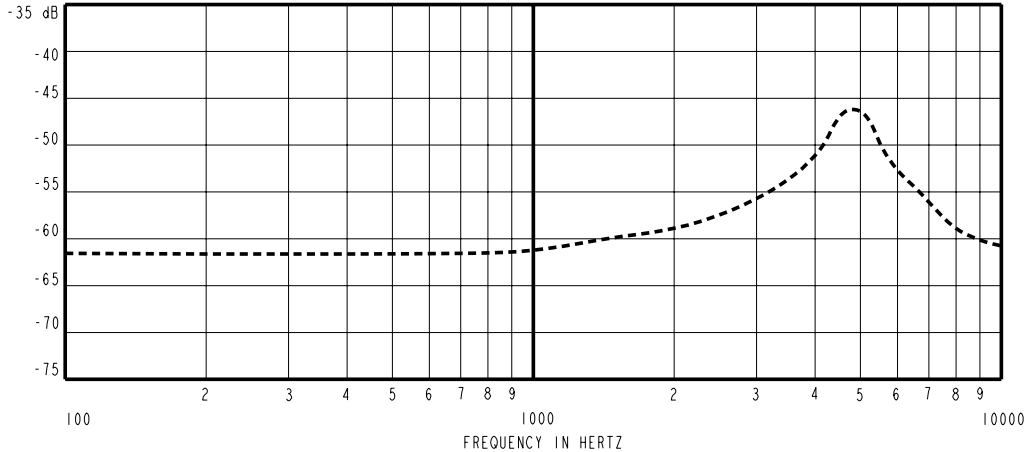
KNOWLES ELECTRONICS
ITASCA, ILLINOIS U.S.A.

HE111ASIZE.FRM Rev: B

NO DAMPING

MR-28406-000
SHEET 2.1

SENSITIVITY IN dB RELATIVE TO 1.0 VOLT/0.1 Pa (N/M²)
FOR CONDITIONS SHOWN BELOW.

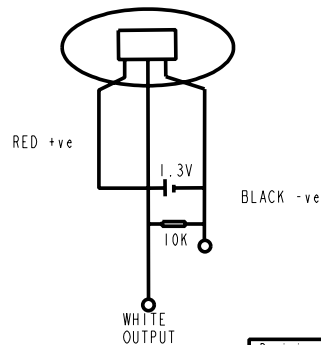


FREQUENCY	SENSITIVITY			DEVICE CONFORMITY	
	MIN.	NOM.	MAX.	RANGE OF DEVIATION FROM 1KHZ	
100	---	-61.5	---	-4.0	+2.0
1000	-65.0	-60.0	-58.0	---	---
4700 APPROX	---	-47.0	---	+8.0	+20.0

NOTES:

1. CASE OF MICROPHONE CONNECTED TO NEGATIVE BLACK LEAD.
2. BELLOWS HOUSING INSULATED FROM MICROPHONE CASE.
3. MICROPHONE TO BE FUNCTIONAL WITH 20 VDC SUPPLY.
4. CONFORMS TO REQUIREMENTS SHOWN ON "ELECTRET MICROPHONE ENVIRONMENTAL QUALIFICATION TEST, BT-1759 SHEET 2.2."
5. INDIVIDUAL SPECIFICATIONS.

LOAD RESISTANCE ON OUTPUT FOR SENSITIVITY OHMS	DC SUPPLY V	OUTPUT IMPEDANCE OHMS			AMPLIFIER CURRENT DRAIN uA MAX.	SENSITIVITY CHANGE ON REDUCING SUPPLY TO .9VDC	"A" WEIGHTED NOISE 1KHZ EQUIVALENT SPL dB SPL MAX
		MIN.	MOM.	MAX.			
10000	1.3	2000	3500	6000	50	3 dB MAX.	30



Revision	C.O. #	Implementation Date	RELEASE LEVEL	REVISION
A	M1010178	8-21-06	Released	A

WHEN TEST LIMITS ARE USED TO ESTABLISH INCOMING INSPECTION ACCEPTANCE/REJECTION CRITERIA, CORRELATION OF TEST EQUIPMENT WITH KNOWLES IS ALSO REQUIRED FOR ELIMINATION OF EQUIPMENT AND TEST METHOD VARIATION		DR. BY	DATE
		LSY	8-21-06
TITLE: WATERPROOF MICROPHONE PERFORMANCE SPECIFICATION		GJP	8-25-06
		APP. BY	DATE
		GJP	8-25-06

KNOWLES ELECTRONICS
ITASCA, ILLINOIS U.S.A.

MR-28406-000
SHT 2.1