

Name: Kick Drum Microphone
Type: FX-588

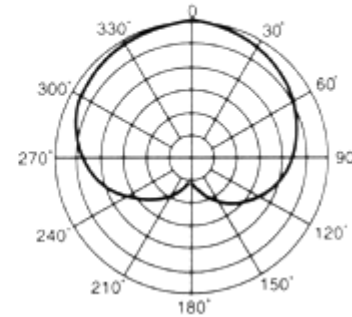
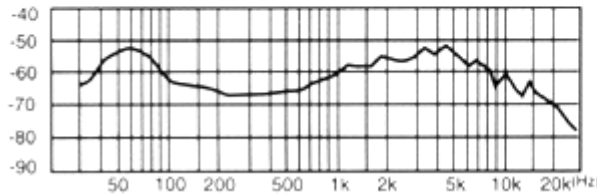


Description:

- * CARDIOID DYNAMIC MICROPHONE SUITED FOR APPLICATIONS INVOLVING HIGH SOUND PRESSURE LEVELS AT CLOSE RANGE.

POLAR PATTERN

FREQUENCY RESPONSE



Specifications	Frequency Response	Polar Pattern	Output Impedance	Output Level	Construction	Net Weight
FX-588	40Hz~15KHz	Cardioid	150 ohms	-86dB	Die cast metal handle. Black matte finish; Hardened steel mesh grill, Silver colored.	545g