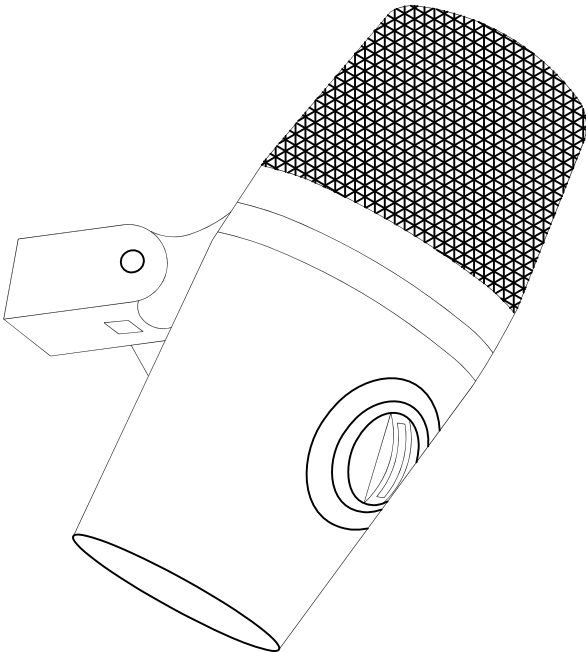


ALL RIGHTS RESERVED. NO PORTION OF THIS PUBLICATION, WHETHER IN WHOLE OR IN PART CAN BE REPRODUCED WITHOUT THE EXPRESS WRITTEN CONSENT OF SPC TECHNOLOGY.

SPC-F005.DWG

REVISONS		DOC. NO. SPC-F005	* Effective: 7/8/02	* DCP No- 1398				
DCP #	REV	DESCRIPTION	DRAWN	DATE	CHECKD	DATE	APPRVD	DATE
XX	XX	XXXX	XXXX	06-10-08	XXXX	06-10-08	XXXX	06-10-08
XXXX	XXXX		XXXX	06-10-08	XXXX	06-10-08	XXXX	06-10-08



Key Specifications/Special Features:

- Type: dynamic microphone
- With three - step low-cut vocal control switch
- Directivity: super cardioids
- Impedance : 250 ohms \pm 30%
- Frequency response : 50 to 16kHz
- Sensitivity :
 - 84dB \pm 3dB at 1kHz (0dB=1V/u bar)
 - 96dB \pm 3dB at 1kHz (0dB=1V/u bar)
 - 78dB \pm 3dB at 1kHz (0dB=1V/u bar)
 - 86dB \pm 3dB at 1kHz (0dB=1V/u bar)
 - 76dB \pm 3dB at 1kHz (0dB=1V/u bar)
 - 82dB \pm 3dB at 1kHz (0dB=1V/u bar)
 - 74dB \pm 3dB at 1kHz (0dB=1V/u bar)
 - 72dB \pm 3dB at 1kHz (0dB=1V/u bar)
- Weight : 460g \pm 10g



DISCLAIMER:
ALL STATEMENTS AND TECHNICAL INFORMATION CONTAINED HEREIN ARE BASED UPON INFORMATION AND/OR TESTS WE BELIEVE TO BE ACCURATE AND RELIABLE. SINCE CONDITIONS OF USE ARE BEYOND OUR CONTROL, THE USER SHALL DETERMINE THE SUITABILITY OF THE PRODUCT FOR THE INTENDED USE AND ASSUME ALL RISK AND LIABILITY WHATSOEVER IN CONNECTION THEREWITH.

TOLERANCES:
UNLESS OTHERWISE SPECIFIED, DIMENSIONS ARE FOR REFERENCE PURPOSES ONLY.

DRAWN BY:	DATE:
XXXX	06-10-08
CHECKED BY:	DATE:
XXXX	06-10-08
APPROVED BY:	DATE:
XXXX	06-10-08

DRAWING TITLE:		Microphone	
SIZE	DWG. NO.	ELECTRONIC FILE	REV
A	CT-06	01P0753	XX
SCALE:	NTS	U.D.M. INCHES [mm]	SHEET: 1 OF 1