

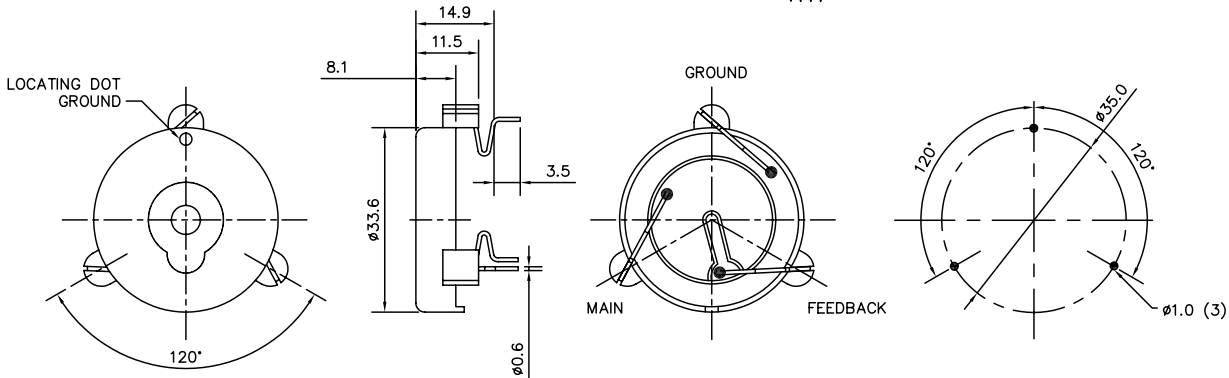
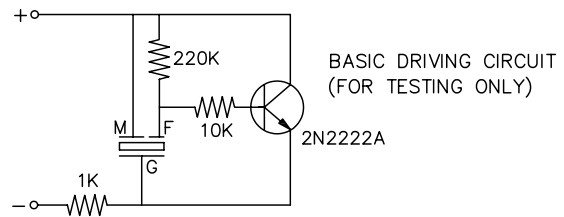
THIS DOCUMENT CONTAINS DATA PROPRIETARY TO PROJECTS UNLIMITED, INC. ANY USE OR REPRODUCTION, IN ANY FORM, WITHOUT PRIOR WRITTEN PERMISSION OF PROJECTS UNLIMITED, INC. IS PROHIBITED.  
© 2003, Projects Unlimited Inc.

SPECIFICATIONS

PARAMETERS	VALUES	UNITS
RATED VOLTAGE (SQUARE WAVE)	12	Vp-p
OPERATING VOLTAGE RANGE	3 ~ 28	Vp-p
RATED CURRENT (MAX)	7	mA
CAPACITANCE	21,000±30%	pF
MINIMUM SPL @ 10 CM	85	dBA
RESONANT FREQUENCY	2,500±500	Hz
OPERATING TEMPERATURE	-30 ~ +80	°C
STORAGE TEMPERATURE	-40 ~ +80	°C
HOUSING MATERIAL	ABS	-
TERMINAL MATERIAL	Au PLATED PHOSPHER BRONZE	-
WEIGHT	3.7	grams

REVISIONS

LTR	DESCRIPTION	DATE	APPROVED
-	RELEASED FROM ENGINEERING	4/16/02	
A	REVISED PIN LENGTH	10/28/02	S. J.
B	REVISED TO NEW TEMPLATE	6/15/04	R. W.
C	REVISED TERMINAL MATERIAL & ADDED NOTE 3	9/14/05	B. R.



NOTES:

1. ALL DIMENSIONS ARE IN MILLIMETERS.
2. SPECIFICATION SUBJECT TO CHANGE OR WITHDRAWAL WITHOUT NOTICE.
3. PART WASHABLE USING DEIONIZED WATER, OR PURE ISOPROPYL ALCOHOL.

FILE NAME  
AT-33.DWG

UNLESS OTHERWISE SPECIFIED:  
DIMENSIONS ARE IN MILLIMETERS; TOLERANCES ARE ±0.5 AND ANGLES ARE ±3°.

APPROVALS	DATE
DRAWN <i>RABL</i>	4/02
APPROVED <i>S. J.</i>	4/02
DO NOT SCALE DRAWING	



projects®  
unlimited

Dayton, Ohio

TRANSDUCER(PIEZO)  
AT-33

SIZE  
A

DRAWING NO.  
AT-33

SCALE: N.T.S.

SHEET 1 OF 1