

**Part Number:** AT-2720-TT-R



**Features**

Mounting: PC Mount  
Frequency: 2048 +/- 500 Hz  
This part is RoHS 2002/95/EC Compliant

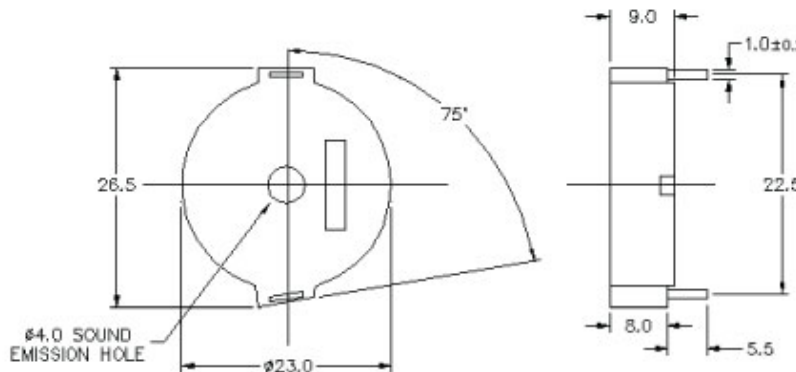
**Electrical Specifications**

Operating Voltage	1-30 Vp-p
Rated Current (Max.)	3.5 mA
Rated Voltage	10 Vp-p
Resonant Frequency	2048 +/- 500 Hz
Sound Pressure Level @ 10 cm (Min.)	88 dBA

Case Material: ABS  
Weight: 2g  
Pin Material: Cn Plated Phosphor Bronze  
Environmentally friendly

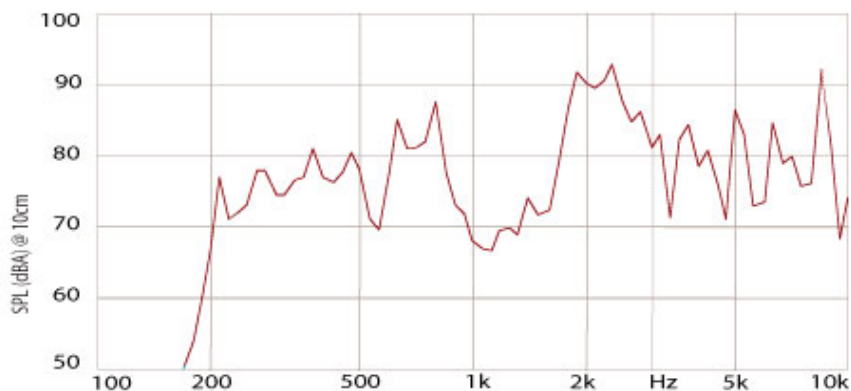
**Mechanical**

*Dimensions are in millimeters, tolerance is ± 0.5 unless otherwise specified.*



**Performance**

**Typical SPL vs. Frequency**



**For application notes and detail drawing specifications, please consult [www.projectsunlimited.com](http://www.projectsunlimited.com).**

Specifications subject to change without notice.

© 2006, Projects Unlimited Inc., All Rights Reserved.