

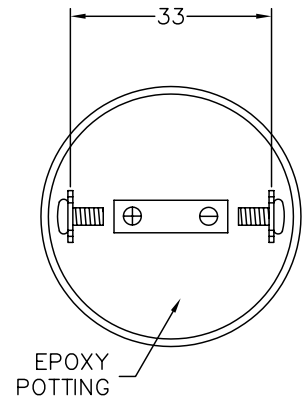
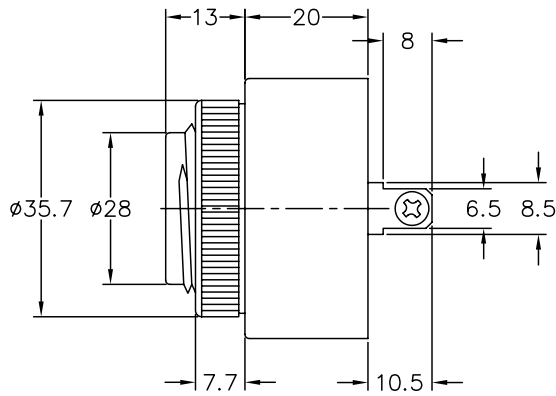
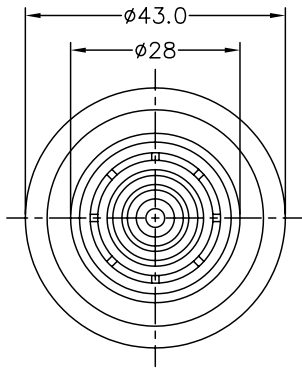
THIS DOCUMENT CONTAINS DATA PROPRIETARY TO PROJECTS UNLIMITED, INC. ANY USE OR REPRODUCTION, IN ANY FORM, WITHOUT PRIOR WRITTEN PERMISSION OF PROJECTS UNLIMITED, INC. IS PROHIBITED.
© 2005, Projects Unlimited Inc.

SPECIFICATIONS

PARAMETERS	VALUES	UNITS
RATED VOLTAGE	12	Vdc
OPERATING VOLTAGE RANGE	6 ~ 28	Vdc
RATED CURRENT (MAX)	6	mA
MINIMUM SPL @ 10 CM	88	dB
RESONANT FREQUENCY	2900±500	—
TONE OR PULSE RATE	FAST	3.2 PULSE PER SECOND
OPERATING TEMPERATURE	-20 ~ +60	°C
STORAGE TEMPERATURE	-30 ~ +70	°C
HOUSING MATERIAL	ABS	—
TERMINAL MATERIAL	Ni PLATED BRASS	—
WEIGHT	43	grams

REVISIONS


LTR	DESCRIPTION	DATE	APPROVED
—	RELEASED FROM ENGINEERING	3/22/06	



NOTES:

1. ALL DIMENSIONS ARE IN MILLIMETERS.
2. SPECIFICATION SUBJECT TO CHANGE OR WITHDRAWAL WITHOUT NOTICE.
3. THIS PART IS RoHS 2002/95/EC COMPLIANT

FILE NAME
AI-4329-P-FP28-R.DWG

UNLESS OTHERWISE SPECIFIED: DIMENSIONS ARE IN MILLIMETERS. TOLERANCES ARE ±0.5 AND ANGLES ARE ±3°.		 projects® unlimited Dayton, Ohio	
INDICATOR			
APPROVALS	DATE	SIZE	DRAWING NO.
DRAWN TG	3/06	A	AI-4329-P-FP28-R
CHECKED BR	3/06		
APPROVED EP	3/06		
DO NOT SCALE DRAWING		SCALE: N.T.S.	SHEET 1 OF 1