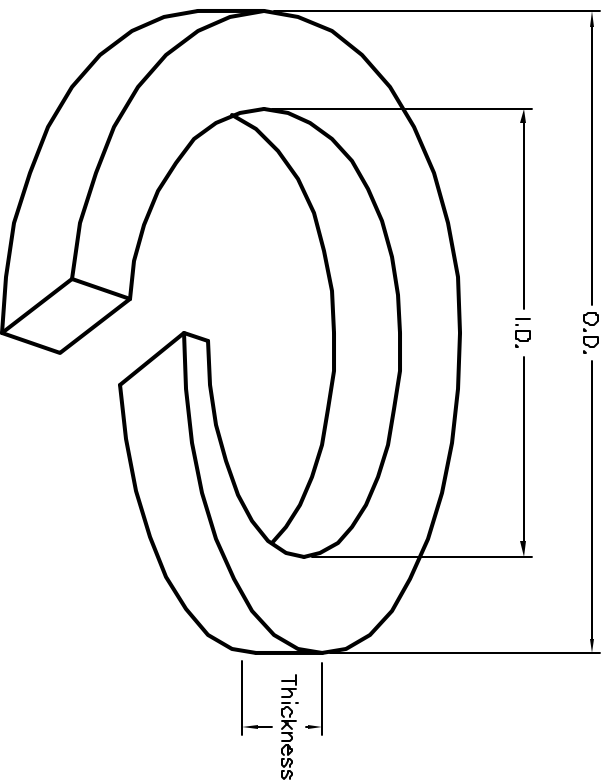


REVISIONS		DWG. NO.	DATE	CHECKED	DATE	APPROVED	DATE
DWG #	REV	DESCRIPTION	DRAWN	DATE	CHECKED	DATE	APPROVED
1950	A	Released	JIN	10/22/08	JWM	10/22/08	JWM
							10/22/08

Mfg. P/N	Mean Section Thickness (Inches)	O.D. (Inches)	I.D. (Inches)	Screw Size
WLS-04-017-SZ	.025	.209	.115 - .121	4
WLS-06-018-SZ	.031	.250	.141 - .148	6
WLS-10-024-SZ	.047	.334	.194 - .202	10

MATERIAL: Steel, Zinc Plated



DISCLAIMER:
ALL STATEMENTS AND TECHNICAL INFORMATION CONTAINED HEREIN ARE BASED UPON INFORMATION AND/OR TESTS WE BELIEVE TO BE ACCURATE AND RELIABLE. SINCE CONDITIONS OF USE ARE BEYOND OUR CONTROL, THE USER SHALL DETERMINE THE SUITABILITY OF THE PRODUCT FOR THE INTENDED USE AND ASSUME ALL RISK AND LIABILITY WHATSOEVER IN CONNECTION THEREWITH.

TOLERANCES:
UNLESS OTHERWISE SPECIFIED, DIMENSIONS ARE FOR REFERENCE PURPOSES ONLY.

DRAWN BY:	Jason Nash	DATE:	10/22/08
CHECKED BY:	JWM	DATE:	10/22/08
APPROVED BY:	JWM	DATE:	10/22/08

DRAWING TITLE:		Split Lock Washer	
SIZE	DWG. NO.	ELECTRONIC FILE	REV
A	Ta-961	Ta-961.dwg	A
SCALE:	U.O.M.: INCHES [mm]	SHEET:	OF 1
NTS		1	1