



ALL RIGHTS RESERVED. NO PORTION OF THIS PUBLICATION, WHETHER IN WHOLE OR IN PART CAN BE REPRODUCED WITHOUT THE EXPRESS WRITTEN CONSENT OF SPC TECHNOLOGY.

SPC-F005.DWG

REVISIONS

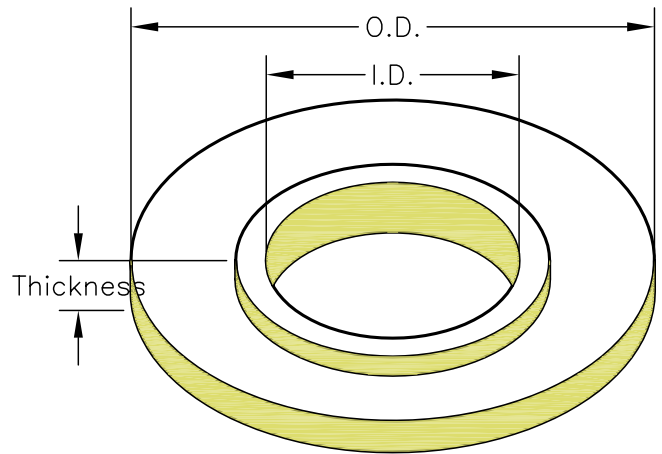
DOC. NO. SPC-F005 • Effective: 7/8/02 • DCP No: 1398

DCP #	REV	DESCRIPTION	DRAWN	DATE	CHECKD	DATE	APPRVD	DATE
1950	A	RELEASED	DCM	03/14/07	TL	03/14/07	JWM	03/14/07



SPECIFICATIONS:
MATERIAL: HARD VULCANIZED FIBER

SPC Mfg Part Number	Thickness (Inches)	O.D. (Inches)	I.D. (Inches)	Screw Size
SPC21878	5/64	9/32	1/8	4
SPC21879	5/64	5/16	9/64	6
SPC21880	3/32	3/8	11/64	8
SPC21881	3/32	7/16	13/64	10
SPC21882	3/32	1/2	0.256	1/4



DISCLAIMER:
ALL STATEMENTS AND TECHNICAL INFORMATION CONTAINED HEREIN ARE BASED UPON INFORMATION AND/OR TESTS WE BELIEVE TO BE ACCURATE AND RELIABLE. SINCE CONDITIONS OF USE ARE BEYOND OUR CONTROL, THE USER SHALL DETERMINE THE SUITABILITY OF THE PRODUCT FOR THE INTENDED USE AND ASSUME ALL RISK AND LIABILITY WHATSOEVER IN CONNECTION THEREWITH.

TOLERANCES:

UNLESS OTHERWISE SPECIFIED, FRACTIONS, DECIMALS, ANGLES
.X ±0.2 [±0.008]
.XX ±0.12 [±0.005]

DRAWN BY:	DATE:
DAN MCVICKER	03/14/07
CHECKED BY:	DATE:
THOMAS LEE	03/14/07
APPROVED BY:	DATE:
JEFF MCVICKER	03/14/07

DRAWING TITLE:
Extruded Fibre Washer, RoHS Compliant

SIZE	DWG. NO.	ELECTRONIC FILE	REV
A	TA-819	TA-819.dwg	A
SCALE: NTS	U.O.M.: [mm] INCHES	SHEET: 1 OF 1	