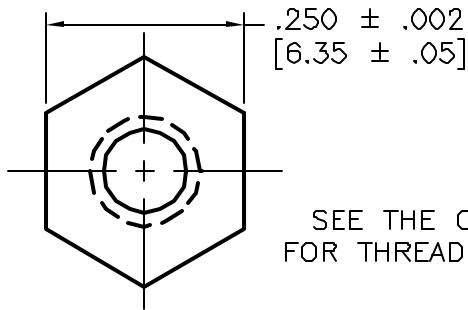
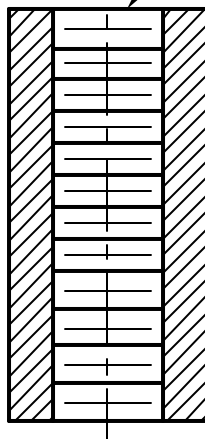
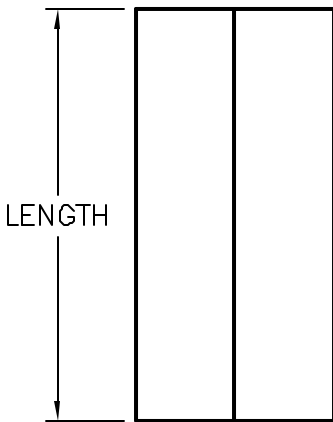


ALL RIGHTS RESERVED. NO PORTION OF THIS PUBLICATION, WHETHER IN WHOLE OR IN PART CAN BE REPRODUCED WITHOUT THE EXPRESS WRITTEN CONSENT OF SPC TECHNOLOGY.

REVISIONS			DOC. NO. SPC-F004 * Effective: 12/21/98 * DCP No: 680					
DCP #	REV	DESCRIPTION	DRAWN	DATE	CHECKD	DATE	APPRVD	DATE
	B	REVISED AND REDRAWN	J.P.	4/12/93	J.C.	4/13/93	K.D.	4/13/93
564	C	REVISED & ADDED MORE PARTS	HYD	4/3/00	JC	10/6/00	JC	10/6/00



SEE THE CHART FOR THREAD SIZE



SPC Type No.	THREAD SIZE	LENGTH (INCHES)
HTA-4-250-A	4-40	0.250
HTA-4-375-A		0.375
HTA-4-500-A		0.500
2855		0.625
HTA-4-750-A		0.750
2856		0.875
HTA-4-1000-A	6-32	1.000
HTA-6-250-A		0.250
HTA-6-375-A		0.375
HTA-6-500-A		0.500
2857		0.625
HTA-6-750-A		0.750
2858		0.875
HTA-6-1000-A		1.000
2737	8-32	1.500
2738		2.000
HTA-8-250-A		0.250
HTA-8-375-A		0.375
HTA-8-500-A		0.500
2859		0.625
HTA-8-750-A		0.750
2860		0.875
HTA-8-1000-A	1.000	
2739	1.500	
2740	2.000	

**NOTES:**

1. MATERIAL: ALUMINUM, QQ-A-225/3, ALLOY 2011-T3
2. FINISH: CLEAR IRIDITE (MIL--5541).
3. SPACERS OVER 1.00 LONG ARE TAPPED 0.375 DEEP EACH END

SPC-F004-DWG

**DISCLAIMER:**  
ALL STATEMENTS AND TECHNICAL INFORMATION CONTAINED HEREIN ARE BASED UPON INFORMATION AND/OR TESTS WE BELIEVE TO BE ACCURATE AND RELIABLE. SINCE CONDITIONS OF USE ARE BEYOND OUR CONTROL, THE USER SHALL DETERMINE THE SUITABILITY OF THE PRODUCT FOR THE INTENDED USE AND ASSUME ALL RISK AND LIABILITY WHATSOEVER IN CONNECTION THEREWITH.



**SPC TECHNOLOGY**

TOLERANCES UNLESS OTHERWISE SPECIFIED DECIMALS .XXX ± .005 [0.15]	DRAWN BY:	DATE:	DRAWING TITLE:			
	J.P.	4/12/93	HEX STANDOFF, THREADED, ALUMINUM			
	CHECKED BY:	DATE:	SIZE	DWG. NO.	ELECTRONIC FILE	REV
	J.C.	4/13/93	A	TA-245	TA-245.DWG	C
	APPROVED BY:	DATE:	SCALE: NTS		U.O.M.: INCHES [mm]	SHEET: 1 OF 1
	K.D.	4/13/93				