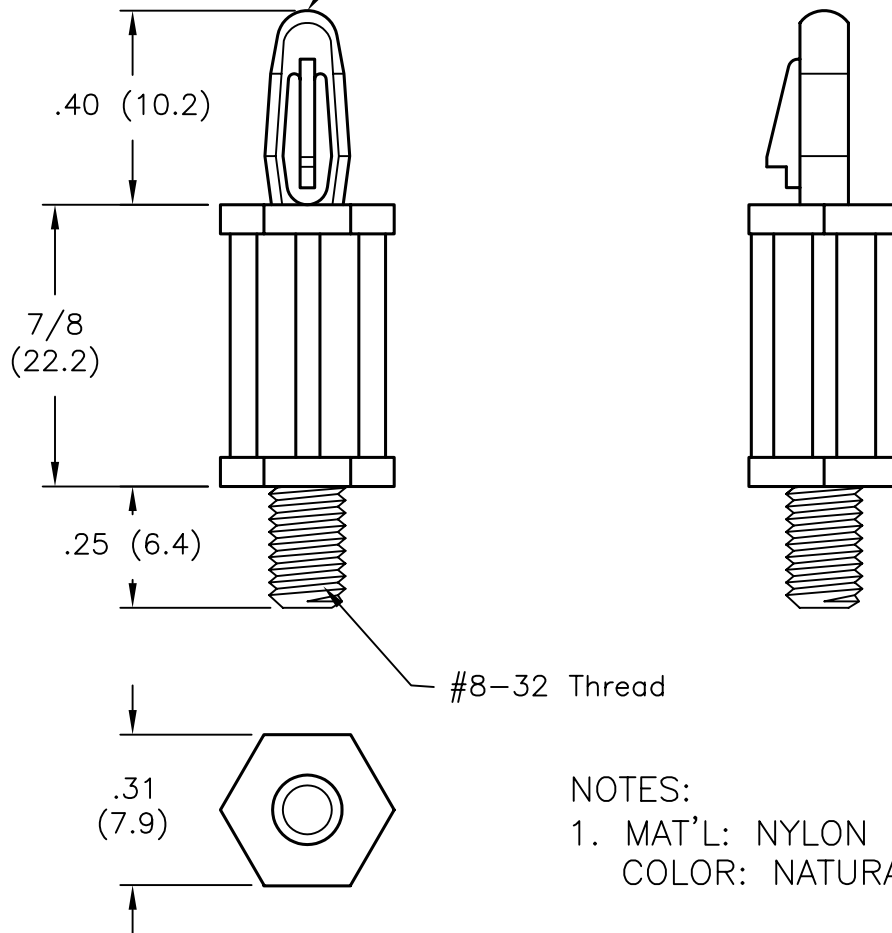


DCP #	REV	DESCRIPTION	DRAWN	DATE	CHECKD	DATE	APPRVD	DATE
380	A	RELEASED	J.W.M.	1/24/98	J.C.	3/13/98	B.B.	3/19/98
1865	B	RoHS ADDED	DCM	10/30/05	JWM	10/31/05	JWM	10/31/05

TO SNAP-LOCK IN A  $.156 \pm .003$   
 $(4.00 \pm 0.08)$  DIA. HOLE, IN A  
 $.062$  (1.57) THICK BOARD



NOTES:  
 1. MAT'L: NYLON 66  
 COLOR: NATURAL

SPC-F004.DWG

<b>TOLERANCES:</b>  Tolerances Unless Otherwise Specified: .XX = $\pm .010$ .XXX = $\pm .015$ Frac. = $\pm 1/64$	DRAWN BY: Jeff McVicker	DATE: 1/24/98	DRAWING TITLE: <b>Studded Circuit Board Support</b>			
	CHECKED BY: JOHN COLE	DATE: 3/13/98	SIZE <b>A</b>	DWG. NO. <b>2625</b>	ELECTRONIC FILE <b>92N4840.dwg</b>	REV <b>B</b>
	APPROVED BY: BRETT BRAATZ	DATE: 3/19/98	SCALE: NTS		U.O.M.: INCHES [mm]	SHEET: 1 OF 1

ALL RIGHTS RESERVED. NO PORTION OF THIS PUBLICATION, WHETHER IN WHOLE OR IN PART CAN BE REPRODUCED WITHOUT THE EXPRESS WRITTEN CONSENT OF SPC TECHNOLOGY. DISCLAIMER: ALL STATEMENTS AND TECHNICAL INFORMATION CONTAINED HEREIN ARE BASED UPON INFORMATION AND/OR TESTS WE BELIEVE TO BE ACCURATE AND RELIABLE. SINCE CONDITIONS OF USE ARE BEYOND OUR CONTROL, THE USER SHALL DETERMINE THE SUITABILITY OF THE PRODUCT FOR THE INTENDED USE AND ASSUME ALL RISK AND LIABILITY WHATSOEVER IN CONNECTION THEREWITH.