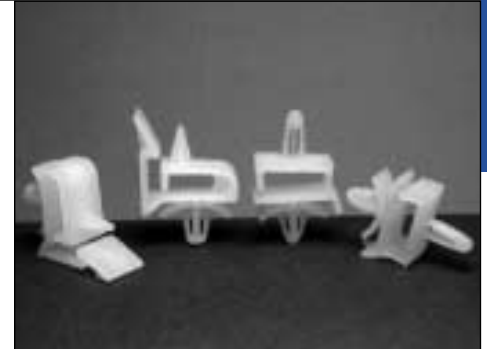


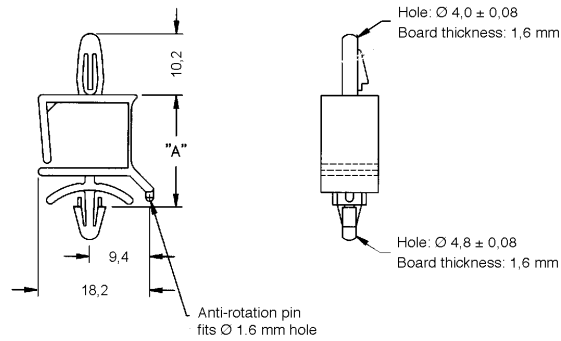
CIRCUIT BOARD HARDWARE

A

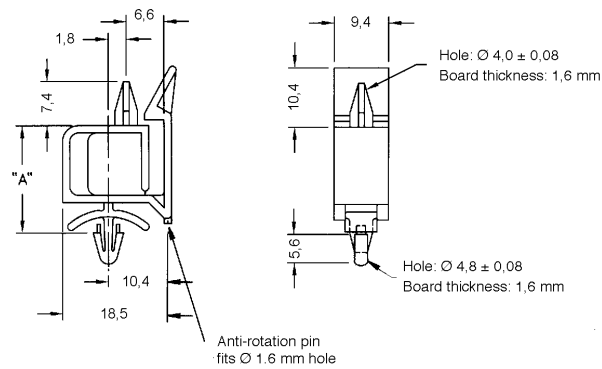


Part No.		"A" mm
HLCBS-7-01	PCBEH-7-01	11.9
HLCBS-10-01	PCBEH-10-01	16.8
HLCBS-14-01	PCBEH-14-01	23.1

HLCBS



PCBEH



HLCBS / PCBEH

HINGED LOCKING CIRCUIT BOARD SUPPORT;
PRINTED CIRCUIT BOARD EDGE HOLDER

Material: Nylon 6/6 - natural; UL 94 V-2, RMS-01
Std. Pk.: 1.000 pcs.

Note:

HLCBS	7	01
Part	Length	Material Code

www.richco-int.com

Richco
38