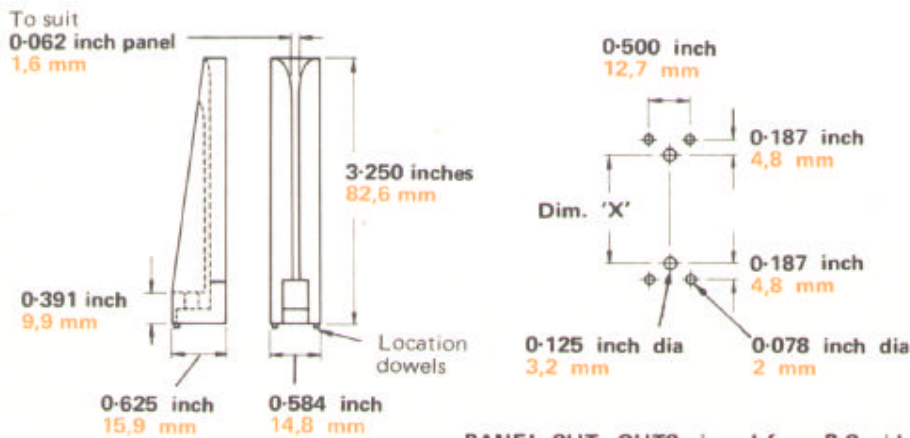


L1380 SUPPORT



Moulded supports may either be mounted on the same fixing centres as the connector, or stood off to accommodate wider boards



WEIGHT: 26g

PANEL CUT-OUTS viewed from P.C. side
 Dimension 'x' to be fixing centres of any P.C. connector
 Location dowel holes to be within 0.05mm dia of true position



BLP reserve the right to change without prior notice the information contained within this leaflet

BLP Components Ltd., Exning Road, Newmarket, Suffolk, CB8 0AX, England
 Tel: +44 (0)1638 665161 Fax: +44 (0)1638 660718 email: sales@blpcomp.com http://www.blpcomp.com