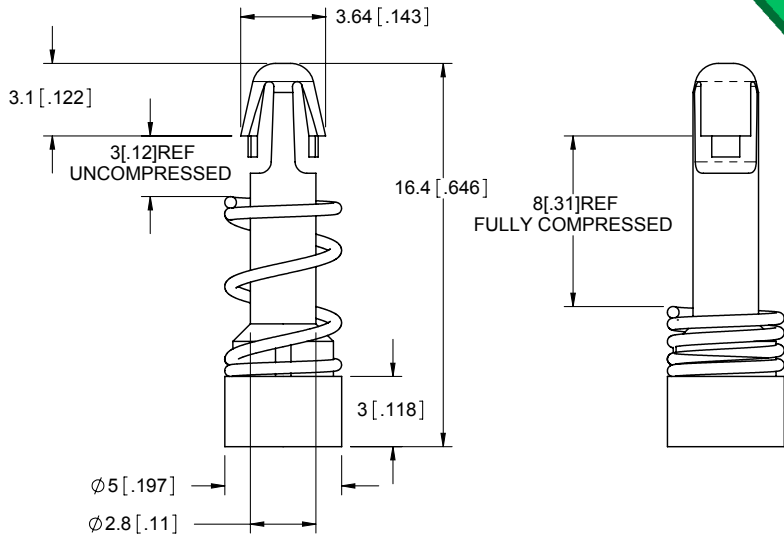


TYPICAL APPLICATION



- NOTES:
 1. MATERIAL: NYLON 6/6 UL 94 V-2 RMS-047, COLOR: NATURAL
 2. SPRING MATERIAL: STEEL, RMS-326, CHROME PLATED (RMS-355).
 3. DESIGNED TO SNAP LOCK INTO A Ø3.00±0.08 [Ø.118±.003] HOLE
 4. INSERTS THROUGH A 3.18-4.00 [Ø.125-.157] HOLE IN HEATSINK
 5. PART IS DESIGNED IN MILLIMETERS.
 INCH CONVERSIONS ARE PROVIDED FOR REF ONLY

TITLE: HEAT SINK SPRING MOUNT RIVET		DWG IN mm[IN]		FINAL			
FILE #: HSR-1	DWN: D.J.Z.	APP: D.J.Z.	PART #		PRINT TYPE		
SHEET: 1 OF 1	SHEET SIZE: A	DT: 08/27/2004	CHKD: S.J.	HSR-1		CA	
RE: RICHCO INC.		RICHCO, INC.		ENG@RICHCO-INC.COM		(773) 539-4060	
CREATED USING SOLIDWORKS		TOLERANCES UNLESS NOTED		ANG. ±1°			
REV.	DESCRIPTION	ENGR.	DATE				