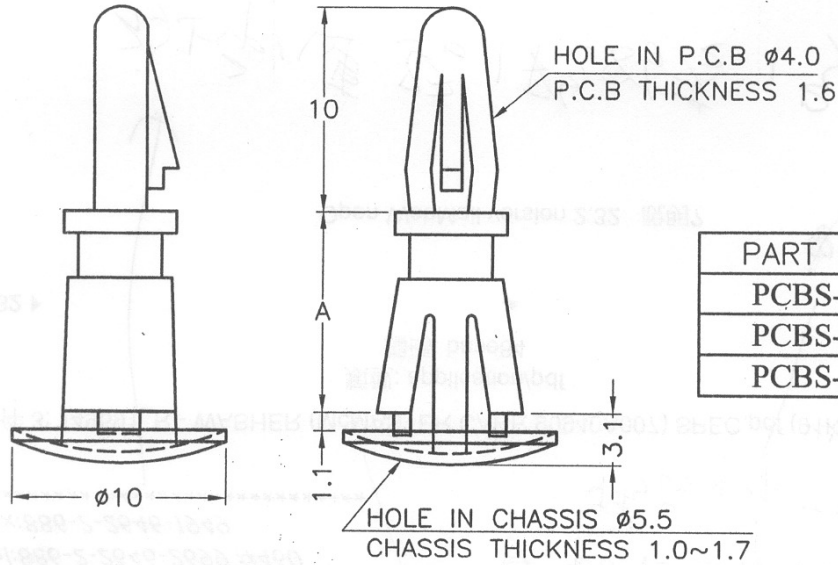


成型尺寸	公差
5mm 以下	±0.2
5~20mm	±0.3
20~40mm	±0.4
40~60mm	±0.5
60~100mm	±0.8
100mm 以上	±1.0

REVISIONS			
REV	DESCRIPTION	DATE	BY
B	PCBS-12 變更料號為 PCBS-12A	2002.11.08	AMY



PART NO.	A
PCBS-10	10
PCBS-12A	12
PCBS-12	12.7



QMF22 Component - Plastics Friday, October 24, 2003 E41938

E I DUPONT DE NEMOURS & CO INC
ENGINEERING POLYMERS CHESTNUT RUN PLAZA PO BOX 80713 WILMINGTON DE 19880

Material Designation: 101(+)(f1), 101F(+)(f1), 101L(+)(f1), E101(+)(f1), E101L(f1), 132F(+)(f1), 135F(+)(f1)

Product Description: Polyamide 66 (PA66), designated "Zytel" furnished as pellets.

Color	Min. Thick. (mm)	Flame Class	HWI	HAI	RTI Elec	RTI Imp	RTI Str	IEC GWIT	IEC GWFI
ALL	0.71	V-2	4	0	130	75	85	725	960
	1.5	V-2	3	0	130	75	85	750	850
	3.0	V-2	2	0	130	75	85	800	950
	6.0	V-2	2	0	130	75	85	-	-

CTI: 0 HVTR: 0 D495: 6 IEC Ball Pressure (°C): -

Dielectric Strength (kV/mm): 13 Volume Resistivity (10¹⁰ohm-cm): 14 Dimensional Stability(%): -
ISO Tensile Strength (MPa): - ISO Flexural Strength (MPa): - ISO Heat Deflection (°C): -
ISO Izod Impact (kJ/m²): - ISO Izod Impact (kJ/m²): - ISO Charpy Impact (kJ/m²): -

(+) Virgin and regrind up to 50% by weight inclusive, have the same basic material characteristics.



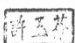
(f1) Suitable for outdoor use with respect to exposure to Ultraviolet Light, Water Exposure and Immersion in accordance with UL 746C.

NOTE (1) Material designations that are color pigmented may be followed by suffix letters and numbers. (2) Material designations may be prefixed by "ZYT" or "MIN" or "ZEN" or "DEL" or "CRA" or "RYN".

Report Date: 7/29/1996 Underwriters Laboratories Inc®

UL94 small-scale test data does not pertain to building materials, furnishings and related contents. UL 94 small-scale test data is intended solely for determining the flammability of plastic materials used in components and parts of end-product devices and appliances, where the acceptability of the combination is determined by ULI.



 <p>康揚企業股份有限公司 KANG YANG HARDWARE ENTERPRISE CO., LTD. 東莞康揚塑膠五金電子廠 DONG GUAN KANG YANG PLASTIC HARDWARE COMPANY 康哲電腦配件(吳江)有限公司 KANG CHE COMPUTER COMPONENTS(WUJIANG) CO.,LTD.</p>		TITLE	PC板間隔柱	產品規格圖面			
		MATERIAL	NYLON 66 UL94V-2	DATE	2002.11.08		
		FINISH		DRAWN	S.J.C.		
		COLOR	NATURAL	CHECK			
PART NUMBER	SEE ABOVE	DRAWING NUMBER	PCBS-H	UNLESS OTHERWISE SPECIFIED TOLERANCE	SEE ABOVE	APPROVED	
SIZE	A4	SCALE	NONE	UNIT	mm	REV	B