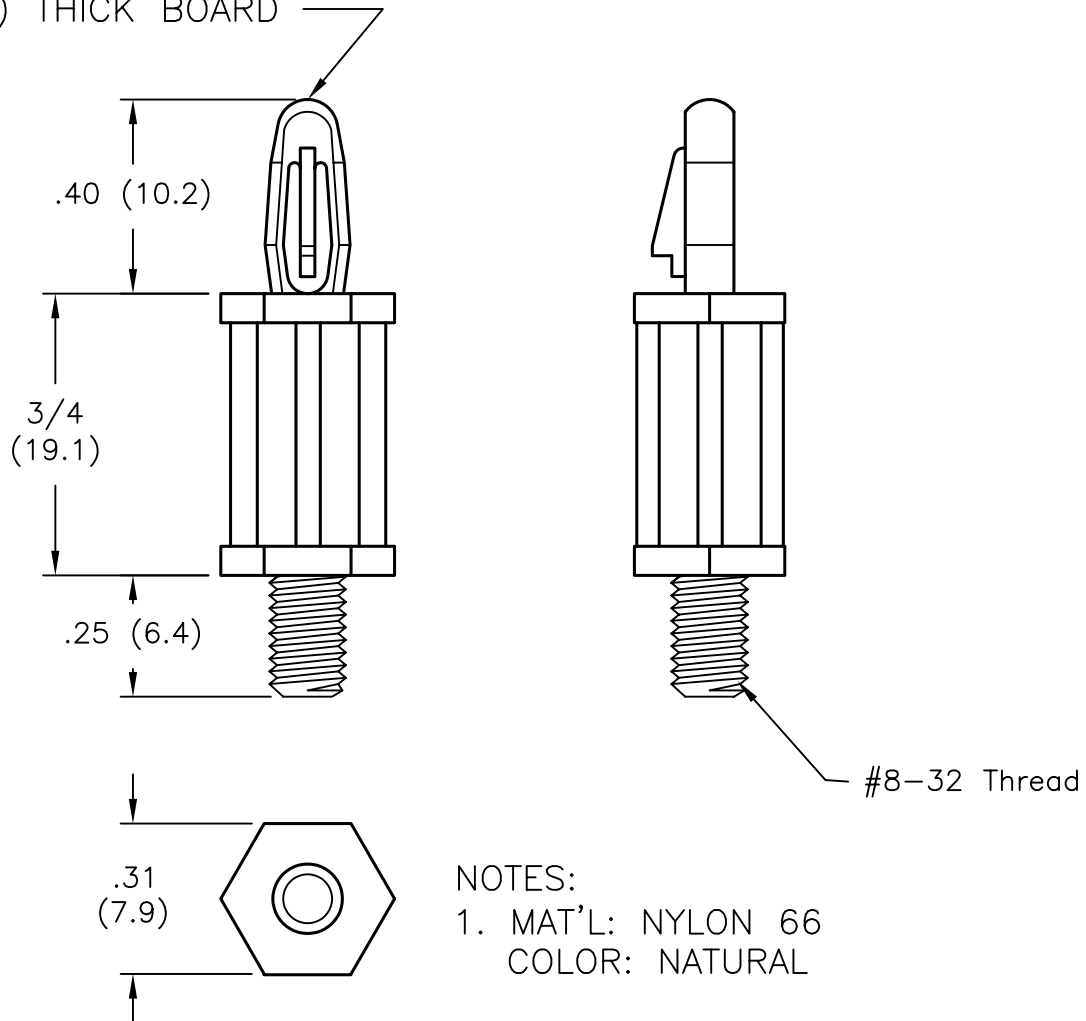


| DCP # | REV | DESCRIPTION | DRAWN | DATE | CHECKD | DATE | APPRVD | DATE |
|-------|-----|-------------|--------|----------|--------|----------|--------|----------|
| 380 | A | RELEASED | J.W.M. | 1/24/98 | J.C. | 3/13/98 | B.B. | 3/19/98 |
| 1865 | B | RoHS ADDED | DCM | 10/30/05 | JWM | 10/31/05 | JWM | 10/31/05 |



TO SNAP-LOCK IN A $.156 \pm .003$
 (4.00 ± 0.08) DIA. HOLE, IN A
 $.062$ (1.57) THICK BOARD



NOTES:
 1. MAT'L: NYLON 66
 COLOR: NATURAL

SPC-F004.DWG

| | | | | | | |
|--|---------------|---------|-------------------------------|-------------|-----------------|--------|
| TOLERANCES: UNLESS OTHERWISE SPECIFIED, DIMENSIONS ARE FOR REFERENCE PURPOSES ONLY. | DRAWN BY: | DATE: | DRAWING TITLE: | | | |
| | Jeff McVicker | 1/24/98 | Studded Circuit Board Support | | | |
| | CHECKED BY: | DATE: | SIZE | DWG. NO. | ELECTRONIC FILE | REV |
| | JOHN COLE | 3/13/98 | A | 2624 | 92N4839.dwg | B |
| APPROVED BY: | DATE: | SCALE: | | U.O.M.: | | SHEET: |
| BRETT BRAATZ | 3/19/98 | NTS | | INCHES [mm] | | 1 OF 1 |

ALL RIGHTS RESERVED. NO PORTION OF THIS PUBLICATION, WHETHER IN WHOLE OR IN PART CAN BE REPRODUCED WITHOUT THE EXPRESS WRITTEN CONSENT OF SPC TECHNOLOGY. DISCLAIMER: ALL STATEMENTS AND TECHNICAL INFORMATION CONTAINED HEREIN ARE BASED UPON INFORMATION AND/OR TESTS WE BELIEVE TO BE ACCURATE AND RELIABLE. SINCE CONDITIONS OF USE ARE BEYOND OUR CONTROL, THE USER SHALL DETERMINE THE SUITABILITY OF THE PRODUCT FOR THE INTENDED USE AND ASSUME ALL RISK AND LIABILITY WHATSOEVER IN CONNECTION THEREWITH.