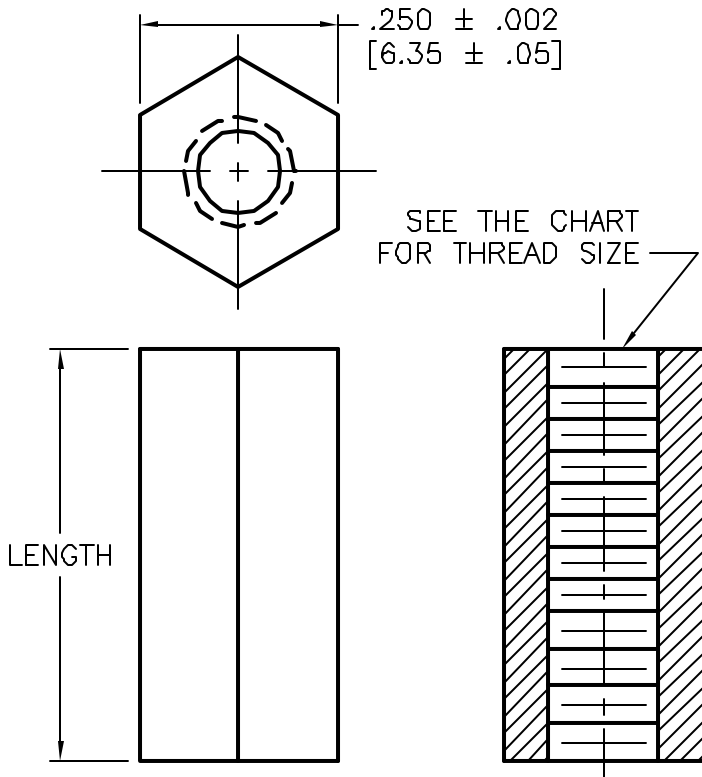


ALL RIGHTS RESERVED. NO PORTION OF THIS PUBLICATION, WHETHER IN WHOLE OR IN PART CAN BE REPRODUCED WITHOUT THE EXPRESS WRITTEN CONSENT OF SPC TECHNOLOGY.

REVISIONS			DDC. NO. SPC-F004 * Effective: 12/21/98 * DCP No: 680					
DCP #	REV	DESCRIPTION	DRAWN	DATE	CHECKD	DATE	APPRVD	DATE
1963	A	Released	JN	10/08/08	JWM	10/08/08	JWM	10/08/08



SPC Type No.	Thread Size	Length (Inches)
SPC21548	4-40	1
SPC21549		1/2
SPC21550		1/4
SPC21551		3/4
SPC21552		3/8
SPC21553		5/8
SPC21554		7/8
SPC21555	6-32	1
SPC21556		1/2
SPC21557		1/4
SPC21558		1-1/2
SPC21559		2
SPC21560		3/4
SPC21561		3/8
SPC21562	5/8	
SPC21563	7/8	
SPC21564	8-32	1
SPC21565		1/2
SPC21566		1-1/2
SPC21567		2
SPC21568		3/4
SPC21569		3/8
SPC21570		5/8

NOTES:

1. MATERIAL: ALUMINUM, QQ-A-225/3, ALLOY 2011-T3
2. FINISH: CLEAR IRIDITE (MIL--5541).
3. SPACERS OVER 1.00 LONG ARE TAPPED 0.375 DEEP EACH END

SPC-F004.DWG

DISCLAIMER:
ALL STATEMENTS AND TECHNICAL INFORMATION CONTAINED HEREIN ARE BASED UPON INFORMATION AND/OR TESTS WE BELIEVE TO BE ACCURATE AND RELIABLE. SINCE CONDITIONS OF USE ARE BEYOND OUR CONTROL, THE USER SHALL DETERMINE THE SUITABILITY OF THE PRODUCT FOR THE INTENDED USE AND ASSUME ALL RISK AND LIABILITY WHATSOEVER IN CONNECTION THEREWITH.



SPC TECHNOLOGY

TOLERANCES UNLESS OTHERWISE SPECIFIED DECIMALS .XXX ± .005 [0.15]	DRAWN BY:	DATE:	DRAWING TITLE:			
	Jason Nash	10/08/08	HEX STANDOFF, THREADED, ALUMINUM			
	CHECKED BY:	DATE:	SIZE	DWG. NO.	ELECTRONIC FILE	REV
	JWM	10/08/08	A	TA-951	TA-951.DWG	A
	APPROVED BY:	DATE:	SCALE: NTS		U.O.M.: INCHES [mm]	SHEET: 1 OF 1
	JWM	10/08/08				