



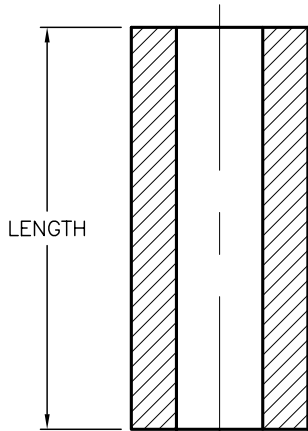
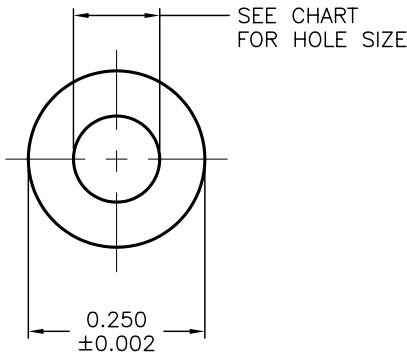
ALL RIGHTS RESERVED. NO PORTION OF THIS PUBLICATION, WHETHER IN WHOLE OR IN PART CAN BE REPRODUCED WITHOUT THE EXPRESS WRITTEN CONSENT OF SPC TECHNOLOGY.

SPC-F005.DWG

REVISIONS

DOC. NO. SPC-F005 * Effective: 7/8/02 * DCP No: 1398

DCP #	REV	DESCRIPTION	DRAWN	DATE	CHECKD	DATE	APPRVD	DATE
564	C	CHANGE TO TA- & UPDATED	HYO	4/6/00	JC	10/6/00	JC	10/6/00
1892	D	Update To RoHS Compliant	EO	3/14/06	HO	3/15/06	HO	3/15/06



SPC TYPE NO.	HOLE SIZE	LENGTH (INCHES)
RB-4-250-A	0.120	0.250
RB-4-375-A		0.375
RB-6-250-A	0.140	0.250
RB-6-375-A		0.375
RB-6-500-A		0.500
RB-8-500-A	0.171	0.500
RB-8-750-A		0.750

MATERIAL: BRASS, NICKEL PLATED PER (QQ-N-290)

DISCLAIMER:
ALL STATEMENTS AND TECHNICAL INFORMATION CONTAINED HEREIN ARE BASED UPON INFORMATION AND/OR TESTS WE BELIEVE TO BE ACCURATE AND RELIABLE. SINCE CONDITIONS OF USE ARE BEYOND OUR CONTROL, THE USER SHALL DETERMINE THE SUITABILITY OF THE PRODUCT FOR THE INTENDED USE AND ASSUME ALL RISK AND LIABILITY WHATSOEVER IN CONNECTION THEREWITH.

TOLERANCES:
UNLESS OTHERWISE SPECIFIED
DECIMAL
.XXX ± 0.005

DRAWN BY:	DATE:
J.P.	4/13/93
CHECKED BY:	DATE:
J.C.	4/14/00
APPROVED BY:	DATE:
K.D.	4/15/93

DRAWING TITLE: ROUND BRASS THROUGH-HOLE SPACER			
SIZE	DWG. NO.	ELECTRONIC FILE	REV
A	TA-249	TA-249.DWG	D
SCALE: NTS	U.O.M.: INCHES	SHEET: 1 OF 1	