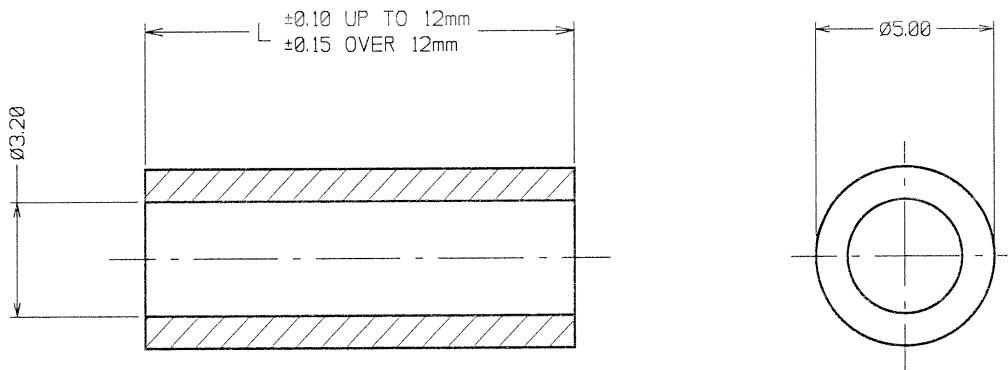


# Customer Information Sheet

DRAWING No.: R30-620XXXX SHEET 2 OF 2 IF IN DOUBT - ASK (C) NOT TO SCALE THIRD ANGLE PROJECTION ALL DIMENSIONS IN mm



PART No.	L
R30-6200214	2.00
R30-6200314	3.00
R30-6200414	4.00
R30-6200514	5.00
R30-6200614	6.00
R30-6200714	7.00
R30-6200814	8.00
R30-6200914	9.00
R30-6201014	10.00
R30-6201114	11.00

PART No.	L
R30-6201214	12.00
R30-6201314	13.00
R30-6201414	14.00
R30-6201514	15.00
R30-6201614	16.00
R30-6201814	18.00
R30-6202014	20.00
R30-6202514	25.00
R30-6203014	30.00

ORDER CODE:  
**R30-620XXXX**  
 LENGTH IN mm  
 FINISH: \_\_\_\_\_  
 14 - ANODISED

JMB	4	19.10.06	9528
NAME	ISS.	DATE	C/NOTE
APPROVED:	<i>J.B.</i>		
CHECKED:	<i>W. J. Bourne</i>		
DRAWN:	W. J. BOURNE		
CUSTOMER REF.:			
ASSEMBLY DRG:			

## HARWIN

HARWIN USA  
 TEL: 603 893 5376  
 FAX: 603 893 5396  
 mis@harwin.com

HARWIN Europe (UK)  
 TEL: 023 9231 4545  
 FAX: 023 9231 4590  
 mis@harwin.co.uk

HARWIN Asia  
 TEL: +65 6 779 4909  
 FAX: +65 6 779 3868  
 mis@harwin.com.sg

THIS DRAWING AND ANY INFORMATION OR DESCRIPTIVE MATTER SET OUT HEREON ARE CONFIDENTIAL AND COPYRIGHT PROPERTY OF THE HARWIN GROUP AND MUST NOT BE DISCLOSED, LOANED, COPIED OR USED FOR MANUFACTURING, TENDERING OR FOR ANY OTHER PURPOSE WITHOUT THEIR WRITTEN PERMISSION.

TOLERANCES  
 X = ±1mm  
 X.X = ±0.25mm  
 X.XX = ±0.10mm  
 X.XXX = ±0.01mm  
 ANGLES = ±5°  
 UNLESS STATED

MATERIAL:  
 ALUMINIUM  
 1050A H08 TO BS1471

FINISH: SEE ABOVE

S/AREA: \_\_\_\_\_ mm<sup>2</sup>

TITLE:  
 M3 CIRCULAR  
 CLEARANCE SPACER

DRAWING NUMBER:  
**R30-620XXXX**

SHT  
 2  
 OF  
 2