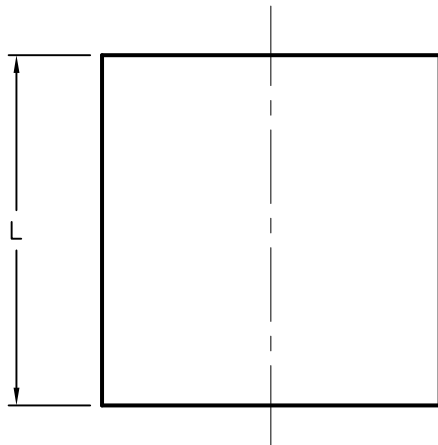
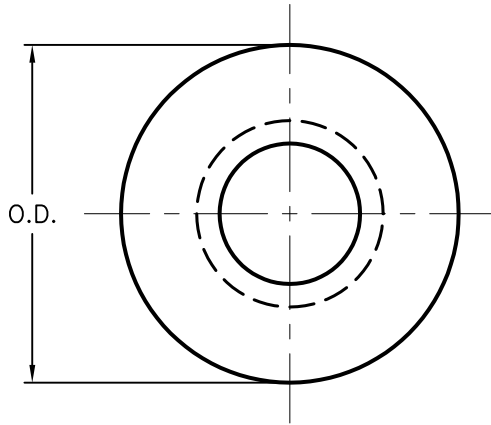


DCP #	REV	DESCRIPTION	DRAWN	DATE	CHECKD	DATE	APPRVD	DATE
564	A	RELEASED	HYO	3/30/00	JC	10/6/00	DJC	10/9/00
1892	B	Update To RoHS Compliant	EO	3/14/06	HO	3/15/06	Ho	3/15/06

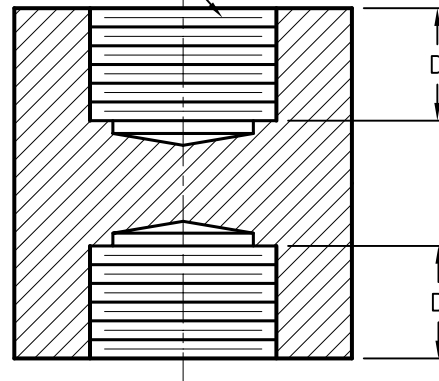


MATERIAL: GRADE L5 CERAMIC
FINISH: GLAZED

SPC TYPE NO.	DIMENSIONS		
	LENGTH ±.020(L)	O.D. ±.020	DEPTH (D)
2685	0.250	0.250	THRU.
2686	0.500	0.250	0.156
2687	0.375	0.375	0.156
2688	0.500	0.375	0.187
2689	0.500	0.500	0.140
2690	0.750	0.500	0.250
2691	1.000	0.500	0.375



6-32 THREAD TYP.



SPC-F004.DWG

TOLERANCES: UNLESS OTHERWISE SPECIFIED DECIMAL .XXX ± .005	DRAWN BY: HISHAM ODISH	DATE: 3/30/00	DRAWING TITLE: INSULATED CERAMIC STANDOFF			
	CHECKED BY: JOHN COLE	DATE: 10/6/00	SIZE A	DWG. NO. TA-243	ELECTRONIC FILE TA-243.DWG	REV B
	APPROVED BY: DANIEL CAREY	DATE: 10/9/00	SCALE: NTS		U.O.M.: INCHES	
				SHEET: 1 OF 1		

ALL RIGHTS RESERVED. NO PORTION OF THIS PUBLICATION, WHETHER IN WHOLE OR IN PART CAN BE REPRODUCED WITHOUT THE EXPRESS WRITTEN CONSENT OF SPC TECHNOLOGY. DISCLAIMER: ALL STATEMENTS AND TECHNICAL INFORMATION CONTAINED HEREIN ARE BASED UPON INFORMATION AND/OR TESTS WE BELIEVE TO BE ACCURATE AND RELIABLE. SINCE CONDITIONS OF USE ARE BEYOND OUR CONTROL, THE USER SHALL DETERMINE THE SUITABILITY OF THE PRODUCT FOR THE INTENDED USE AND ASSUME ALL RISK AND LIABILITY WHATSOEVER IN CONNECTION THEREWITH.