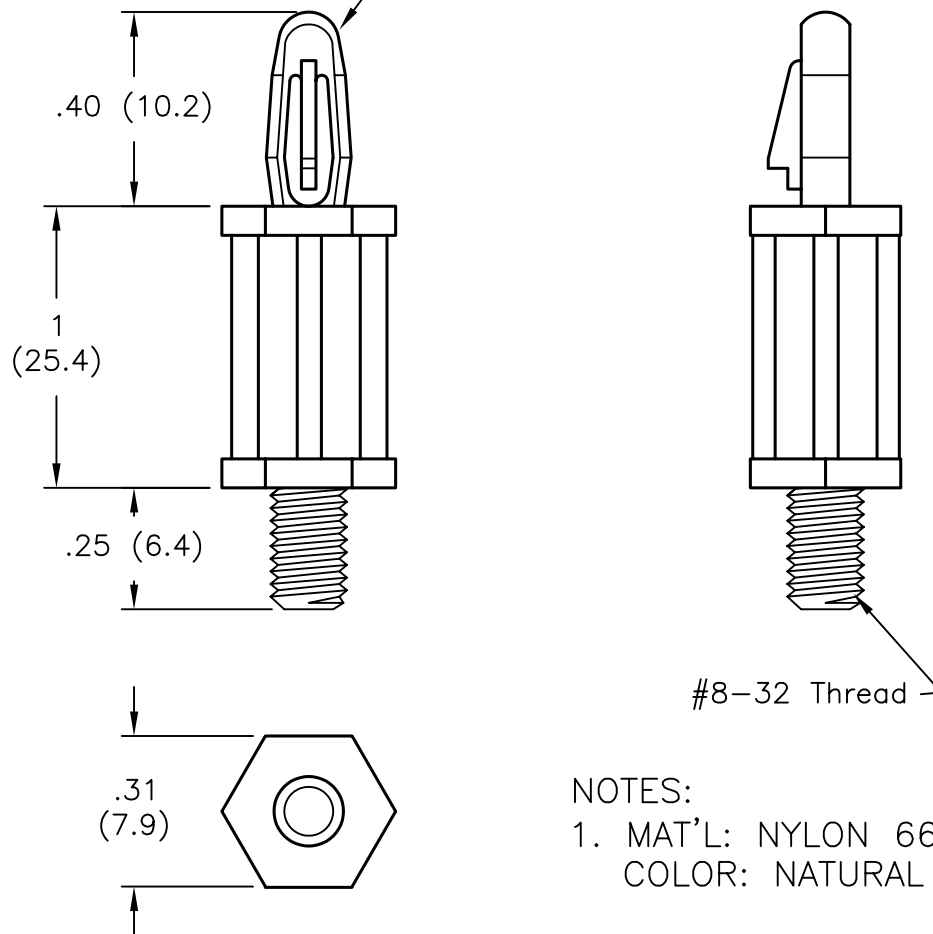


REVISIONS			DOC. NO. SPC-F004 * Effective: 7/8/02 * DCP No: 1398						
DCP #	REV	DESCRIPTION	DRAWN	DATE	CHECKD	DATE	APPRVD	DATE	
380	A	RELEASED	J.W.M.	1/24/98	J.C.	3/13/98	B.B.	3/19/98	
1865	B	RoHS ADDED	DCM	10/30/05	JWM	10/31/05	JWM	10/31/05	



TO SNAP-LOCK IN A $.156 \pm .003$
 (4.00 ± 0.08) DIA. HOLE, IN A
 $.062 (1.57)$ THICK BOARD



NOTES:
 1. MAT'L: NYLON 66
 COLOR: NATURAL

SPC-F004.DWG

TOLERANCES: UNLESS OTHERWISE SPECIFIED, DIMENSIONS ARE FOR REFERENCE PURPOSES ONLY.	DRAWN BY:	DATE:	DRAWING TITLE: Studded Circuit Board Support					
	Jeff McVicker	1/24/98	SIZE	DWG. NO.	ELECTRONIC FILE		REV	
	CHECKED BY:	DATE:	A	2626	92N4841.dwg		B	
	JOHN COLE	3/13/98	SCALE: NTS		U.O.M.: INCHES [mm]		SHEET: 1 OF 1	
APPROVED BY:	DATE:							
BRETT BRAATZ	3/19/98							

ALL RIGHTS RESERVED. NO PORTION OF THIS PUBLICATION, WHETHER IN WHOLE OR IN PART CAN BE REPRODUCED WITHOUT THE EXPRESS WRITTEN CONSENT OF SPC TECHNOLOGY. DISCLAIMER: ALL STATEMENTS AND TECHNICAL INFORMATION CONTAINED HEREIN ARE BASED UPON INFORMATION AND/OR TESTS WE BELIEVE TO BE ACCURATE AND RELIABLE. SINCE CONDITIONS OF USE ARE BEYOND OUR CONTROL, THE USER SHALL DETERMINE THE SUITABILITY OF THE PRODUCT FOR THE INTENDED USE AND ASSUME ALL RISK AND LIABILITY WHATSOEVER IN CONNECTION THEREWITH.