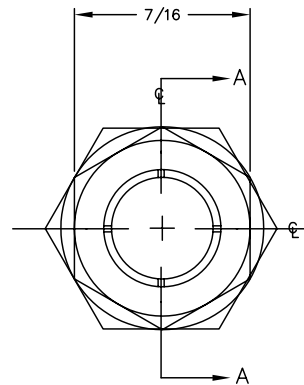
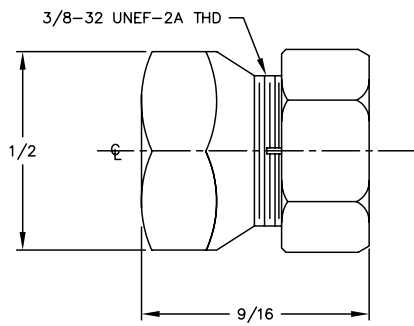
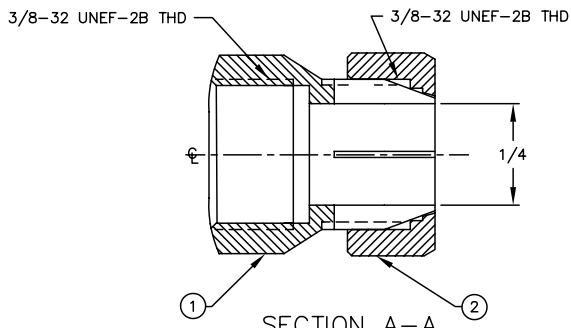


BILL OF MATERIALS				
DET.	QTY.	DESCRIPTION	MATERIAL	FINISH
1	1	SHAFT BUSHING	BRASS	NICKEL
2	1	SHAFT LOCK NUT	BRASS	NICKEL

REVISIONS				
SYM	DESCRIPTION	REVISED BY	DATE	APPR
(A)	DRAWN ON CAD (PER ECR# E98007)	ECK		



MATERIAL:	"SEE TABLE"	FINISH:	"SEE TABLE"	ABBATRON Electronic Connectors and Hardware 632 Arch Street, Meadville, Pa. 16335		
DIMENSIONAL TOLERANCES UNLESS OTHERWISE SPECIFIED		TITLE:				
.XX	.XXX	.XXXX	SHAFT LOCK ASSY			
±.010	±.005	---				
FRACTIONS	ANGLES	SCALE	DRAWN: ED KLINE		DATE: 3-11-98	
±1/64	±1°	4:1	CHECKED:		DATE:	
HEAT TREAT:	---		APPROVED:		DATE:	
PLOT SCALE:	1=1		SIZE:	B	DRAWING NUMBER: SD181	
					ISSUE: A	