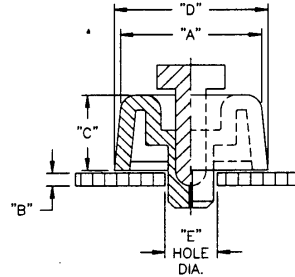


723 - 5033

RIVETS, BUMPERS & FEET

SFF Series Soft Fast Feet



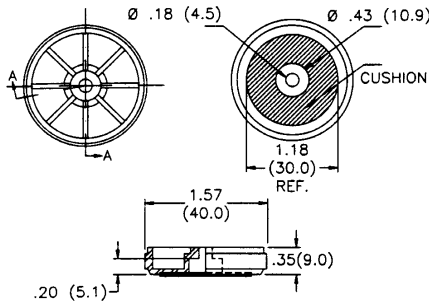
Features

- Slip and vibration resistant
- Two piece foot furnished pre-assembled

Material: Foot: Santoprene, RMS-42 • Pin: Polypropylene • Color: Black

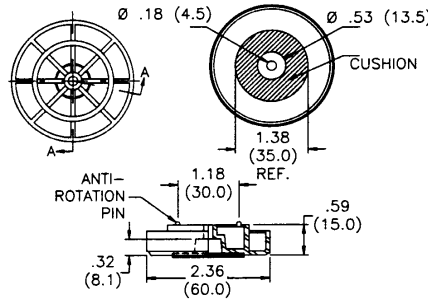
Part No.	Standard Pack: 100 per bag				
	"E" ± .002 (0.05) Hole Dia.	"B" Thickness Range	"A" Ref.	"C" Ref.	"D" Ref.
SFF-018		.031 (0.8) - .059 (1.5)	.71 (18.0)	.39 (9.9)	.79 (20.1)
SFF-021	.305 (7.75)	.197 (5.0) - .315 (8.0)	.79 (20.1)	.24 (6.1)	.83 (21.1)
SFF-023		.031 (0.8) - .059 (1.5)	.91 (23.1)	.20 (5.1)	.98 (24.9)
SFF-028		.031 (0.8) - .059 (1.5)	.71 (18.0)	.59 (15.0)	.79 (20.1)

BF-1001 Big Feet



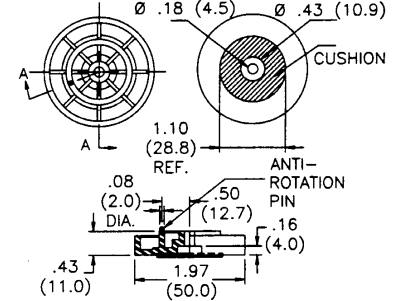
Foot Material: ABS • Cushion Material: Nylon Fiber Color: Black
Standard Pack: 100 per bag
Recommended Mounting Screw: #8 (M-4) pan head; not furnished
Load Capacity: 22 lbs. (10 kg)

BF-1002 Big Feet



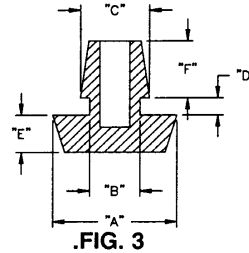
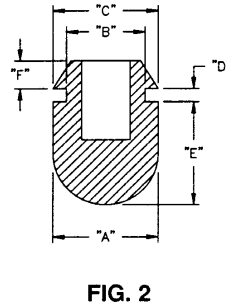
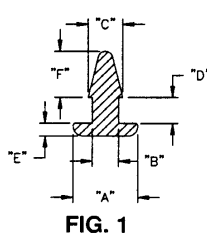
Foot Material: ABS • Cushion Material: Nylon Fiber Color: Black
Standard Pack: 100 per bag
Recommended Mounting Screw: #8 (M-4) pan head; not furnished
Load Capacity: 22 lbs. (10 kg)

BF-1005 Big Feet



Foot Material: ABS • Cushion Material: Nylon Fiber Color: Black
Standard Pack: 100 per bag
Recommended Mounting Screw: #8 (M-4) pan head; not furnished
Load Capacity: 22 lbs. (10 kg)

POF Series Push On Feet



Features

- Ideal for use on metal or plastic housings and cases
- Simply push into punched or drilled holes

Material: Flexible PVC, 55A durometer
Color: Black

Part No.	Standard Pack: 100 per bag						Fig #
	"A" Dia.	"B" Dia.	"C" Dia.	"D"	"E"	"F"	
POF-40022	.31 (7.9)	.126 (3.2)	.17 (4.3)	.13 (3.3)	.06 (1.5)	.16 (4.1)	1
POF-40048	.31 (7.9)	.188 (4.8)	.23 (5.8)	.06 (1.5)	.09 (2.3)	.14 (3.6)	1
POF-40059	.50 (12.7)	.374 (9.5)	.48 (12.2)	.06 (1.5)	.50 (12.7)	.14 (3.6)	2
POF-50185	.54 (13.7)	.247 (6.3)	.30 (7.6)	.08 (2.0)	.18 (4.6)	.35 (8.9)	3
POF-12664	.62 (15.7)	.277 (7.0)	.34 (8.6)	.05 (1.3)	.20 (5.1)	.16 (4.1)	3