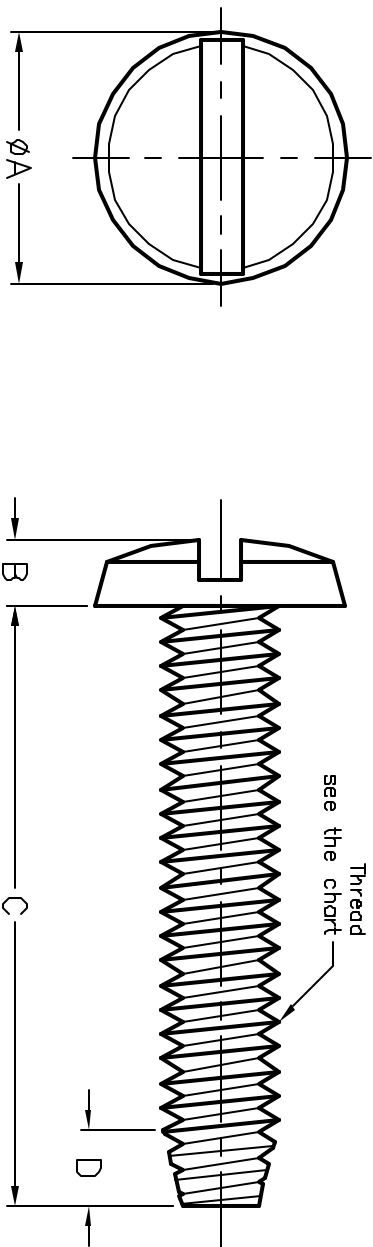


ALL RIGHTS RESERVED. NO PORTION OF THIS PUBLICATION, WHETHER IN WHOLE OR IN PART CAN BE REPRODUCED WITHOUT THE EXPRESS WRITTEN CONSENT OF SPC TECHNOLOGY.



ROHS  
Compliant

REVISIONS		DOC. NO.	DATE	CHECKED	DATE	APPROVID	DATE
DGP #	REV	DESCRIPTION	DRAWN	DATE	CHECKED	DATE	APPROVID
1950	A	RELEASED	JIN	10/22/08	JWM	10/22/08	JWM
							10/22/08



Mfg. P/N	Thread Size	$\phi A$	B	C	D
SPC21817	4 - 40	.223 - .235	.061 - .068	1/2"	.030
SPC21818	4 - 40	.223 - .235	.061 - .068	3/4"	.050
SPC21819	6 - 32	.275 - .290	.078 - .087	1/4"	.025
SPC21820	10 - 32	.378 - .399	.112 - .123	1"	.035

- SPECIFICATIONS:**
1. Material: Nylon 6/6
  2. Color: Natural
  3. Flammability: UL94V-2
  4. Operating Temperature: - 40°F to 180°F

**DISCLAIMER:**  
ALL STATEMENTS AND TECHNICAL INFORMATION CONTAINED HEREIN ARE BASED UPON INFORMATION AND/OR TESTS WE BELIEVE TO BE ACCURATE AND RELIABLE. SINCE CONDITIONS OF USE ARE BEYOND OUR CONTROL, THE USER SHALL DETERMINE THE SUITABILITY OF THE PRODUCT FOR THE INTENDED USE AND ASSUME ALL RISK AND LIABILITY WHATSOEVER IN CONNECTION THEREWITH.

UNLESS OTHERWISE SPECIFIED, DIMENSIONS ARE FOR REFERENCE PURPOSES ONLY.

DRAWN BY:	DATE:
Jason Nash	10/22/08
CHECKED BY:	DATE:
JWM	10/22/08
APPROVED BY:	DATE:
JWM	10/22/08



SPC TECHNOLOGY

DRAWING TITLE:

STEEL HEX NUT

SIZE	DWG. NO.	ELECTRONIC FILE	REV
A	TA-967	TA-967.DWG	A
SCALE:	NTS	U.O.M.: INCHES	SHEET: 1 OF 1