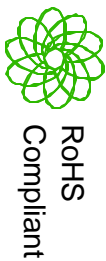
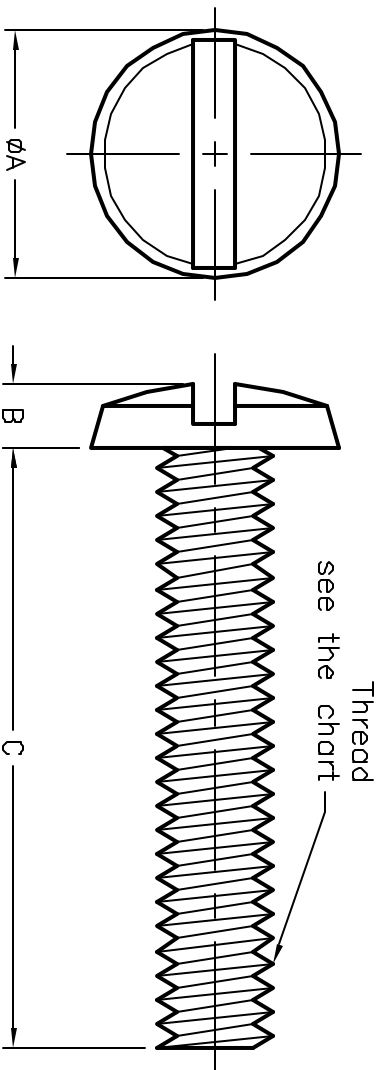


ALL RIGHTS RESERVED. NO PORTION OF THIS PUBLICATION, WHETHER IN WHOLE OR IN PART CAN BE REPRODUCED WITHOUT THE EXPRESS WRITTEN CONSENT OF SPC TECHNOLOGY.

REVISONS		DOC. NO. SPC-F005	Effective 12/21/08	DCP No 890				
DCP #	REV	DESCRIPTION	DRAWN	DATE	CHECKD	DATE	APPRVD	DATE
1950	A	RELEASED	JIN	10/22/08	JWM	10/22/08	JWM	10/22/08



SPC Type No.	Thread Size	ØA	B	C
SPCC21821	2-56	.171 - .181	.043 - .050	1/4
SPCC21822				1/2
SPCC21823	4-40	.223 - .235	.061 - .068	1/4
SPCC21824				1/2
SPCC21825	6-32	.275 - .290	.078 - .087	3/4
SPCC21826				3/16
SPCC21827	8-32	.326 - .344	.095 - .105	1/4
SPCC21828				3/8
SPCC21829	10-32	.378 - .399	.112 - .123	1/2
SPCC21830				3/4
SPCC21831				1/4
SPCC21832				3/8
SPCC21833				1/2
SPCC21834				3/4
SPCC21835				1/2
SPCC21836				3/4



Material: Steel, Nickel Plated

DISCLAIMER:
 ALL STATEMENTS AND TECHNICAL INFORMATION CONTAINED HEREIN ARE BASED UPON INFORMATION AND/OR TESTS WE BELIEVE TO BE ACCURATE AND RELIABLE. SINCE CONDITIONS OF USE ARE BEYOND OUR CONTROL, THE USER SHALL DETERMINE THE SUITABILITY OF THE PRODUCT FOR THE INTENDED USE AND ASSUME ALL RISK AND LIABILITY WHATSOEVER IN CONNECTION THEREWITH.

UNLESS OTHERWISE SPECIFIED, DIMENSIONS ARE FOR REFERENCE PURPOSES ONLY.

DRAWN BY:	Jason Nash	DATE:	10/22/08
CHECKED BY:	JWM	DATE:	10/22/08
APPROVED BY:	JWM	DATE:	10/22/08



SPC TECHNOLOGY

DRAWING TITLE: **BINDER HEAD STEEL MACHINE SCREW**

SIZE	DWG. NO.	ELECTRONIC FILE	REV
A	TA-966	TA-966.DWG	A
SCALE:	NTS	U.O.M.: INCHES	SHEET: 1 OF 1