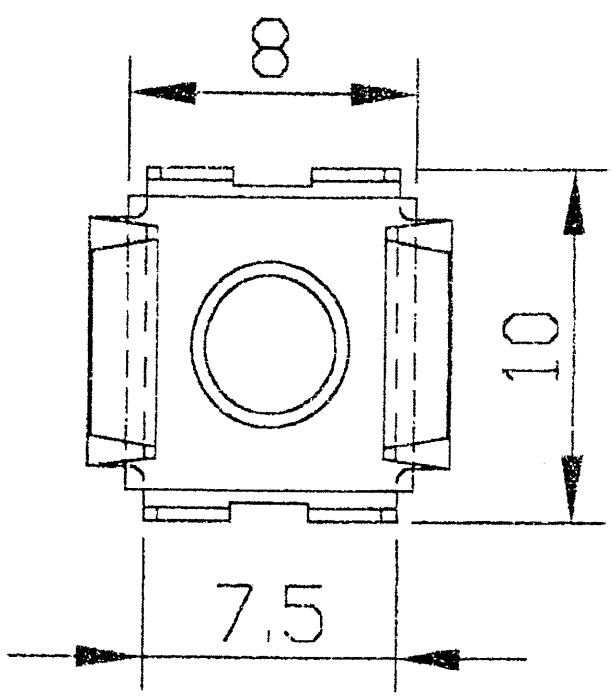
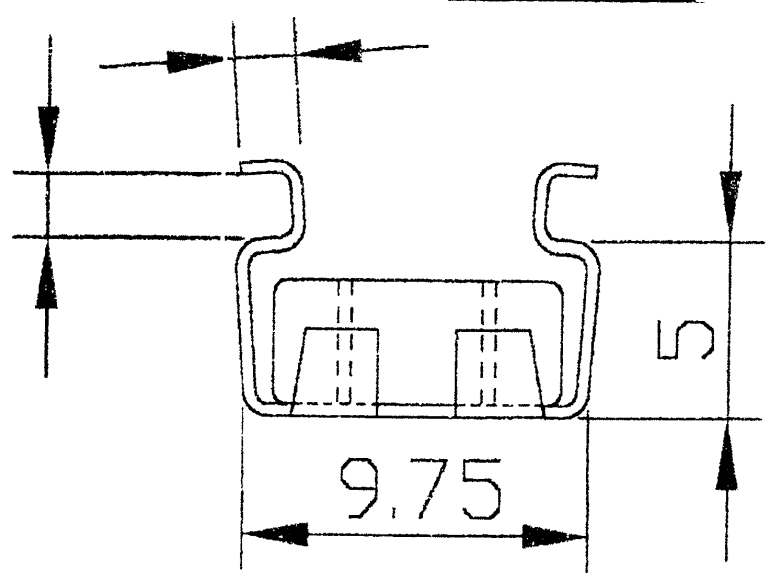


All rights reserved. Reproduction or Issue to third parties is not permitted without written permission from

1.64 Max

2.2



M4 NARROW

Tolerances: General +/- 0.4mm		Material: Cage: 0.46mm CS 70 / Nut: Mild Steel			
Heat Treatment: Cage: H&T 380/420 VPN		Finish: Cage & Nut: Zinc & Yellow Pass to ZN3			
Drawn By: I R	Checked By: L W	Approved By/Date: S F 10/12/99	File Name: Cage Nut	Date: 10/12/99	Scale: NTS
Title: M4 Cage Nut				Issue: 1	
Part No: CN/4M/ND/ZP				Page: 1/1	