

19" Rack Accessories

Strips, Nuts & Panel Fixing Kits

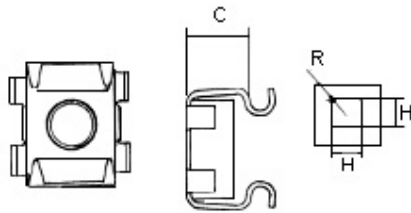


Caged Nuts



Features:

A range of caged nuts suitable for fixing front panels on sub-rack systems instrument cases, etc. Available in two thread sizes, each of which is suitable for two ranges of material thickness. The steel nut is held captive in a spring steel cage. Nuts and cages are zinc-plated.



Specifications

Cage Type	Panel Range (Material Thickness)	Nut Size	H	R	C	Part Number
M5 Narrow	0.71 to 1.63 (22 to 16 s.w.g)	11.1SQ x 4.8TH	9.53	0.81	5.8	SCF008
M6 Narrow						SCF010
M5 Wide	1.83 to 2.64 (15 to 12 s.w.g)					SCF009
M6 Wide						SCF011

Dimensions : Millimetres

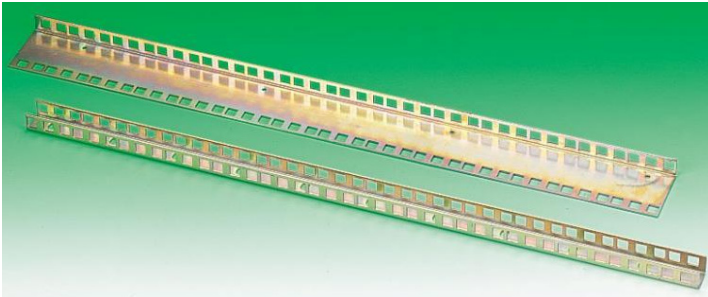


19" Rack Accessories

Strips, Nuts & Panel Fixing Kits



Rack Mounting Strip

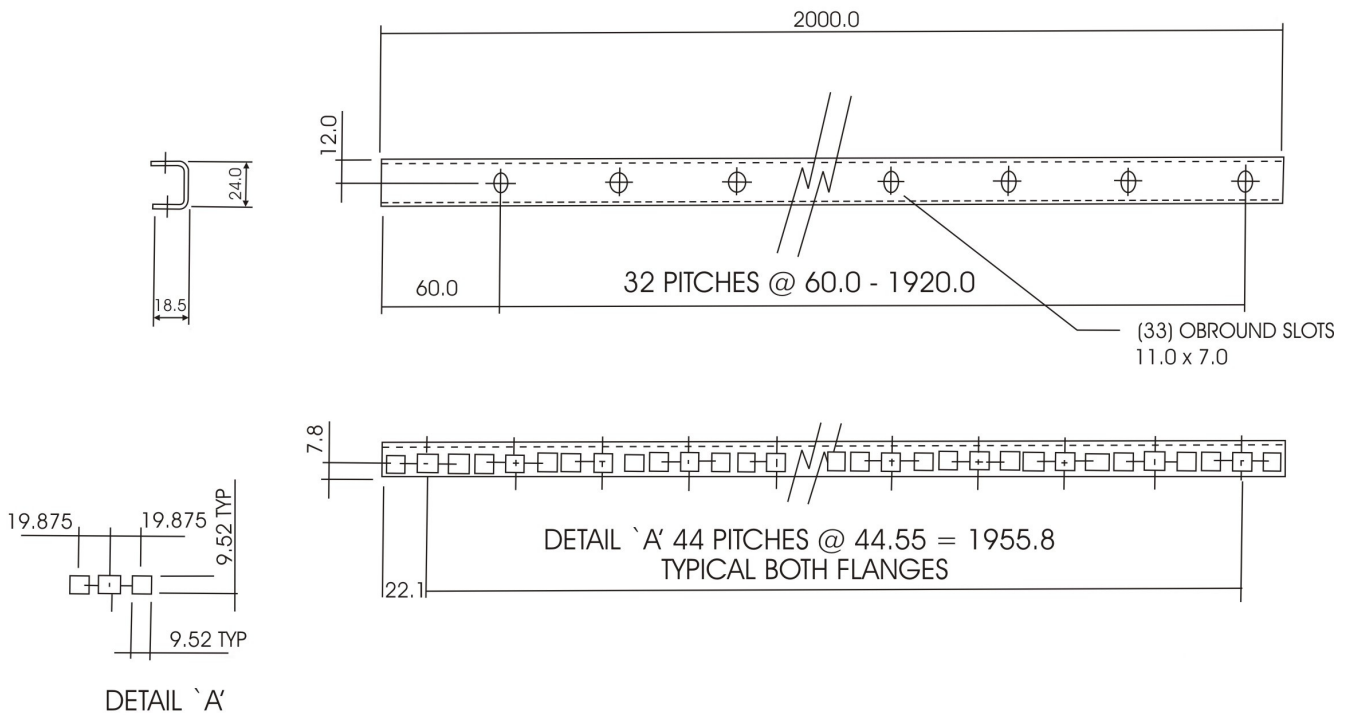


Features:

'L' and 'U' section strip with holes conforming to IEC297 made from cadmium plated mild steel and passivated for strength and long service life. Supplied in 2m (45U) lengths.

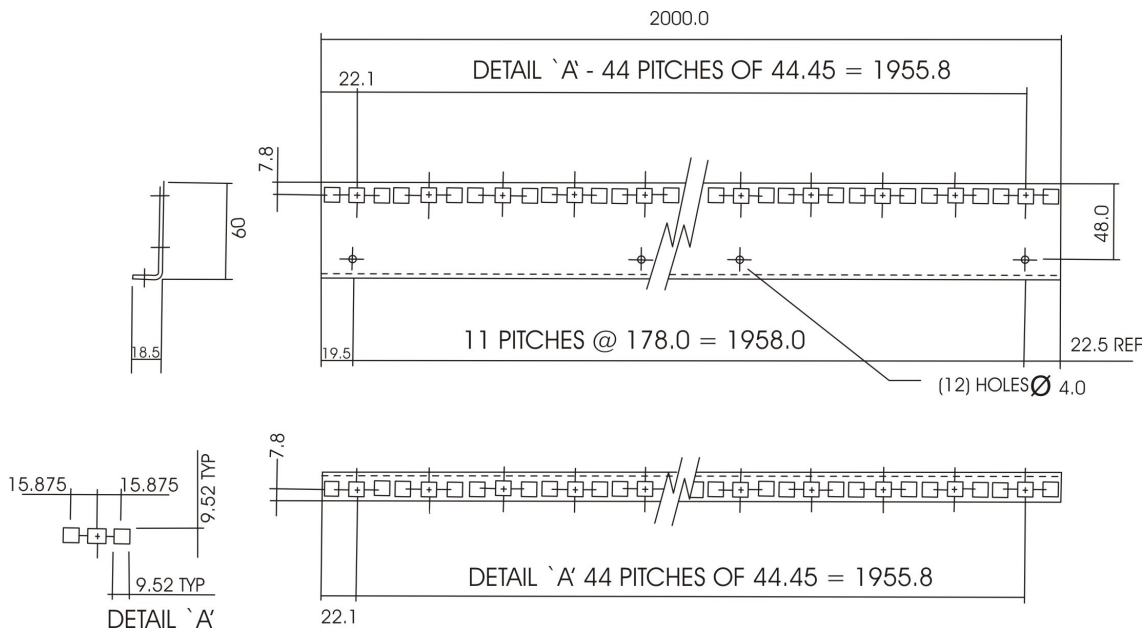
Specifications

Type	Part Number
L section	SCF001
U section	SCF002



19" Rack Accessories

Strips, Nuts & Panel Fixing Kits



19" Rack Accessories

Strips, Nuts & Panel Fixing Kits

multicomp

Notes:

International Sales Offices:

	AUSTRALIA – Farnell InOne Tel No: ++ 61 2 9645 8888 Fax No: ++ 61 2 9644 7898		FINLAND – Farnell InOne Tel No: ++ 358 9 560 7780 Fax No: ++ 358 9 345 5411		NETHERLANDS – Farnell InOne Tel No: ++ 31 30 241 7373 Fax No: ++ 31 30 241 7333		SWITZERLAND – Farnell InOne Tel No: ++ 41 1 204 64 64 Fax No: ++ 41 1 204 64 54
	AUSTRIA – Farnell InOne Tel No: ++ 43 662 2180 680 Fax No: ++ 43 662 2180 670		FRANCE – Farnell InOne Tel No: ++ 49 89 61 39 39 39 Fax No: ++ 33 474 68 99 90		NEW ZEALAND – Farnell InOne Tel No: ++ 64 9 357 0646 Fax No: ++ 64 9 357 0656		UK – Farnell InOne Tel No: ++ 44 8701 200 200 Fax No: ++ 44 8701 200 201
	BELGIUM – Farnell InOne Tel No: ++ 32 3 475 2810 Fax No: ++ 32 3 227 3648		GERMANY – Farnell InOne Tel No: ++ 49 89 61 39 39 39 Fax No: ++ 49 89 613 59 01		NORWAY – Farnell InOne Tel No: ++ 45 44 53 66 66 Fax No: ++ 45 44 53 66 02		UK – BuckHickman InOne ++ 44 8450 510 150 ++ 44 8450 510 130
	BRAZIL – Farnell-Newark InOne Tel No: ++ 55 11 4066 9400 Fax No: ++ 55 11 4066 9410		HONG KONG – Farnell-Newark InOne Tel No: ++ 852 2268 9888 Fax No: ++ 852 2268 9899		PORTUGAL – Farnell InOne Tel No: ++ 34 93 475 8804 Fax No: ++ 34 93 474 5288		UK – CPC ++ 44 8701 202 530 ++ 44 8701 202 531
	CHINA – Farnell-Newark InOne Tel No: ++86 10 6238 5152 Fax No: ++86 10 6238 5022		IRELAND – Farnell InOne Tel No: ++ 353 1 830 9277 Fax No: ++ 353 1 830 9016		SINGAPORE – Farnell-Newark InOne Tel No: ++ 65 6788 0200 Fax No: ++ 65 6788 0300	 EXPORT – Farnell InOne Tel No: ++ 44 8701 200 208 Fax No: ++ 44 8701 200 209	
	DENMARK – Farnell InOne Tel No: ++ 45 44 53 66 44 Fax No: ++ 45 44 53 66 06		ITALY – Farnell InOne Tel No: ++ 39 02 93 995 200 Fax No: ++ 39 02 93 995 300		SPAIN – Farnell InOne Tel No: ++ 34 93 475 8805 Fax No: ++ 34 93 474 5107		
	ESTONIA – Farnell InOne Tel No: ++ 358 9 560 7780 Fax No: ++ 358 9 345 5411		MALAYSIA – Farnell-Newark InOne Tel No: ++ 60 3 7873 8000 Fax No: ++ 60 3 7873 7000		SWEDEN – Farnell InOne Tel No: ++ 46 8 730 50 00 Fax No: ++ 46 8 83 52 62		

For enquiries from all other markets

<http://www.farnellinone.com>
<http://www.buckhickmaninone.com>
<http://www.cpc.co.uk>

Disclaimer This data sheet and its contents (the "Information") belong to the Premier Farnell Group (the "Group") or are licensed to it. No licence is granted for the use of it other than for information purposes in connection with the products to which it relates. No licence of any intellectual property rights is granted. The Information is subject to change without notice and replaces all data sheets previously supplied. The Information supplied is believed to be accurate but the Group assumes no responsibility for its accuracy or completeness, any error in or omission from it or for any use made of it. Users of this data sheet should check for themselves the Information and the suitability of the products for their purpose and not make any assumptions based on information included or omitted. Liability for loss or damage resulting from any reliance on the Information or use of it (including liability resulting from negligence or where the Group was aware of the possibility of such loss or damage arising) is excluded. This will not operate to limit or restrict the Group's liability for death or personal injury resulting from its negligence. Multicomp is the registered trademark of the Group. © Premier Farnell plc 2004.

multicomp