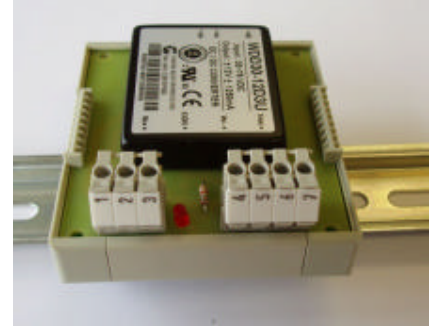


DIN / Chassis Mount Brackets

for DC DC Converters

OF117A – 0 to 30 Watts

These special mounting brackets have been developed to accept a wide range of standard DC DC converters for applications requiring either Din Rail or Chassis mounting where a bespoke circuit board is not available. All units come complete with input and output terminals and the provision to fit an LED across the output, along with various resistor positions to allow trimming of the output voltage



Electrical Description

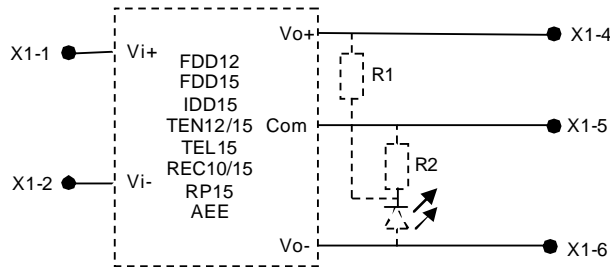


Fig 1 –Circuit Diagram for “C” pin configuration – Typically found in 2”x 1” & 2” x 2” converters.

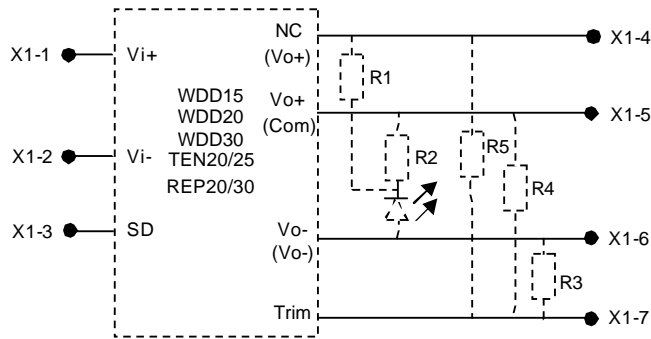
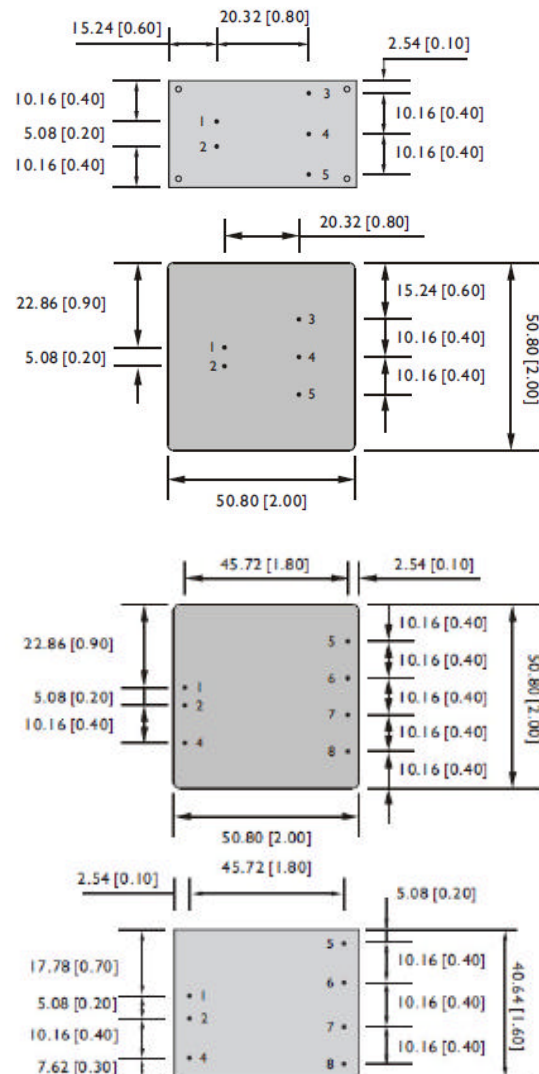


Fig 2 – Circuit diagram for 2”x 1.6” and 2” x 2” converters. R3...R5 can be used for trimming of the output voltage

DC DC Converter – Pin Configurations



Mechanical Description

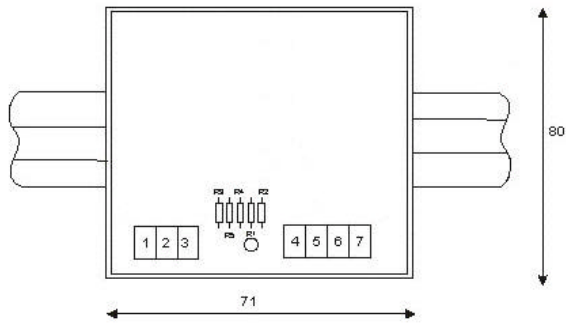


Fig 3 – Din rail mount layout

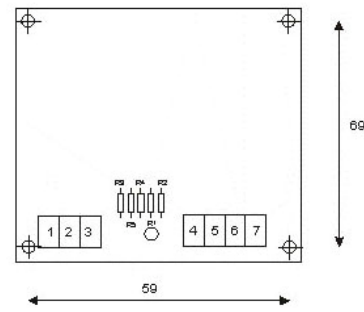


Fig 4 – Chassis mount fixing dimensions

Table 1 – OF117A Converter overview and pin assignment

Pin Assignment		Pin Number							
DC DC Family	Case Size	Power (W)	1	2	3	4	5	6	7
Chinfa Products									
FDD - Single Output	2" x 2"	12/15	Vi+	Vi-		Vo+		Vo-	
FDD - Dual Output	2" x 2"	12/15	Vi+	Vi-		Vo+	com	Vo-	
IDD - Single Output	2" x 1"	15	Vi+	Vi-		Vo+		Vo-	
IDD - Dual Output	2" x 1"	15	Vi+	Vi-		Vo+	com	Vo-	
WDD - Single Output	2" x 1.6"	15/20/30	Vi+	Vi-	SD	NC	Vo+	Vo-	Trim
WDD - Dual Output	2" x 1.6"	15/20/30	Vi+	Vi-	SD	Vo+	com	Vo-	Trim
Recom Products									
REC10/15 - Single Output	2" x 1"	10/15	Vi+	Vi-		Vo+		Vo-	
REC10/15 - Dual Output	2" x 1"	10/15	Vi+	Vi-		Vo+	com	Vo-	
RP - Single Output	2" x 1"	15	Vi+	Vi-		Vo+		Vo-	
RP - Dual Output	2" x 1"	15	Vi+	Vi-		Vo+	com	Vo-	
REP20/30 - Single Output	2" x 1.6"	20/30	Vi+	Vi-	SD	NC	Vo+	Vo-	Trim
REP20/30 - Dual Output	2" x 1.6"	20/30	Vi+	Vi-	SD	Vo+	com	Vo-	Trim
Astec Products									
AEE15 - Single Output	2" x 1"	15	Vi+	Vi-		Vo+		Vo-	
AEE15 - Dual Output	2" x 1"	15	Vi+	Vi-		Vo+	com	Vo-	
Traco Products									
TEN10/12 - Single Output	2" x 1"	10/12	Vi+	Vi-		Vo+		Vo-	
TEN10/12 - Dual Output	2" x 1"	10/12	Vi+	Vi-		Vo+	com	Vo-	
TEL15 - Single Output	2" x 1"	15	Vi+	Vi-		Vo+		Vo-	
TEL15 - Dual Output	2" x 1"	15	Vi+	Vi-		Vo+	com	Vo-	
TEN20/25 - Single Output	2" x 1.6"	20/30	Vi+	Vi-	SD	NC	Vo+	Vo-	Trim
TEN20/25 - Dual Output	2" x 1.6"	20/30	Vi+	Vi-	SD	Vo+	com	Vo-	Trim