



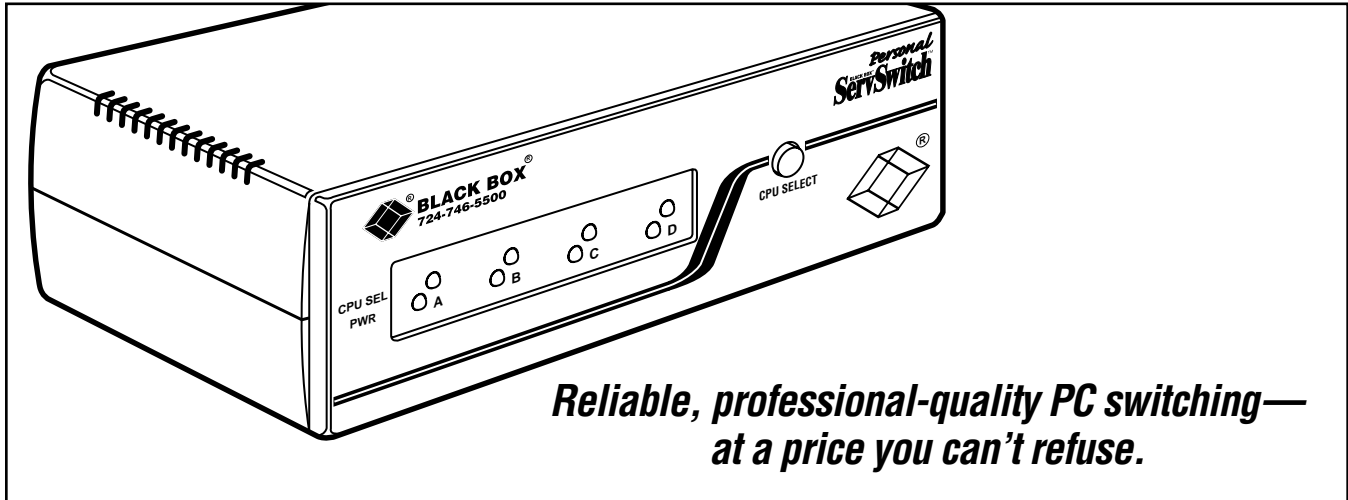
© 2004. All rights reserved.
Black Box Corporation.

BLACK BOX[®]

NETWORK SERVICES

Black Box Corporation • 1000 Park Drive • Lawrence, PA 15055-1018 • Tech Support: 724-746-5500 • www.blackbox.com • e-mail: info@blackbox.com

PERSONAL SERVSWITCH



*Reliable, professional-quality PC switching—
at a price you can't refuse.*

Key Features

- ▶ **Control up to 4 PCs with one keyboard, monitor, and mouse.**
- ▶ **No software to install or boards to configure!**
- ▶ **Switch channels by pressing a single button or sending a simple keyboard command.**
- ▶ **Provides mouse translation and supports Microsoft IntelliMouse.**
- ▶ **Uses standard PC-type cabling.**
- ▶ **Daisychain to switch up to 64 PCs (optional power supply required for daisy chaining).**

Stop wasting money on unnecessary equipment! Just because you want to manage four PCs doesn't mean you have to buy four monitors, four keyboards, and four mice.

The Personal ServSwitch™ lets you manage multiple PCs from one keyboard, monitor, and mouse. Plus, the Personal ServSwitch works with standard, inexpensive PC-type cables. Bottom line: The Personal ServSwitch lets you save your money for equipment you really need.

Here's how it works: plug your monitor, mouse, and keyboard into the Personal ServSwitch. Then use economical extension cables to connect your IBM® PC/AT® or PS/2® compatible CPUs. There's no software to install or boards to configure, and no power supply to connect.

To add as many as 64 CPUs to your KVM-sharing system, you

can cascade multiple Personal ServSwitch units to as many as three "layers," using the same inexpensive cables as a regular single-unit system. (Be aware, however, that the Personal ServSwitch can only be cascaded with other Personal ServSwitch models. Also, you'll need the optional power supply when cascading multiple units.)

When you turn on your PCs, the Personal ServSwitch will perform keyboard and mouse emulation. The first available channel is automatically selected at power-up. You can easily switch between CPUs using the "CPU SELECT" button on the front panel or by using keyboard commands.

The Personal ServSwitch's scanning feature enables you to automatically monitor, or scan, each PC automatically. If you use the keyboard during scanning, the scan will pause until you

finish, then resume with the next PC. The length of time each PC's video remains on the screen can be changed at any time. The switch will stop scanning when you send it the Halt command or select a particular PC.

The Personal ServSwitch can handle noninterlaced VGA resolutions up to 1024 x 768 pixels at up to 80 Hz.

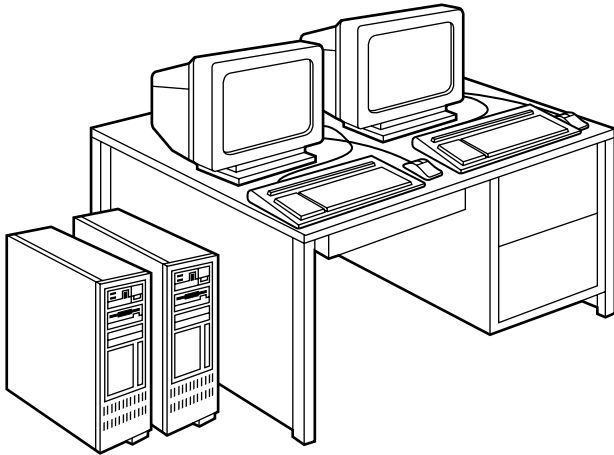
Hot-pluggable, the switch allows you to add or remove PCs from it without having to power it or the PCs down. Keyboard and mouse emulation prevents CPU lockup.

The Personal ServSwitch fully supports both PS/2 and serial mice and the Microsoft® IntelliMouse®.

NOTE: Not recommended for use with laptop computers.

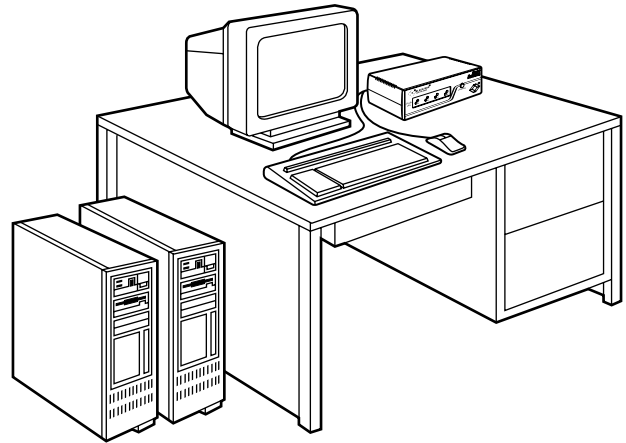
Before the Personal ServSwitch...

You need a separate monitor, keyboard, and mouse for each of your computers. What an expense! And once you get them, there's no space for anything else!

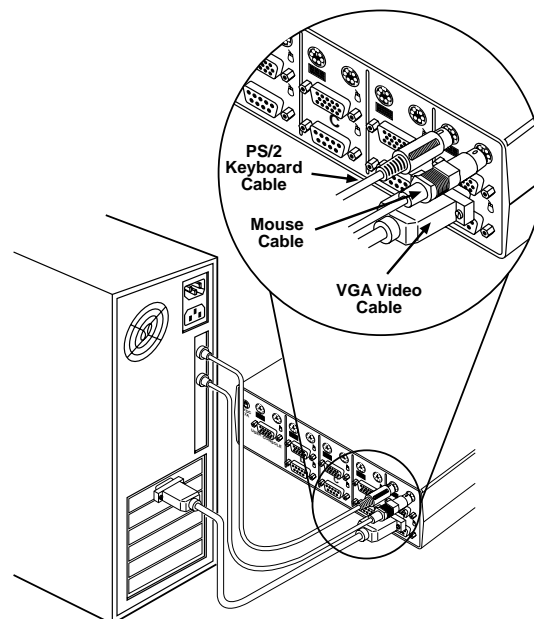
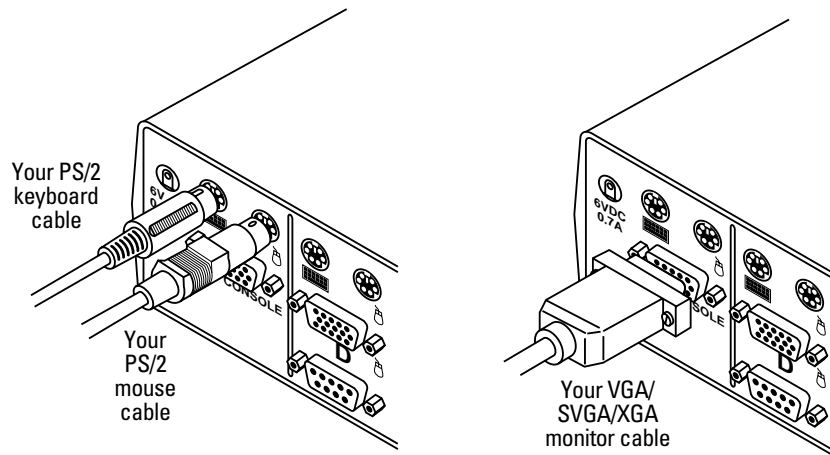


After the Personal ServSwitch...

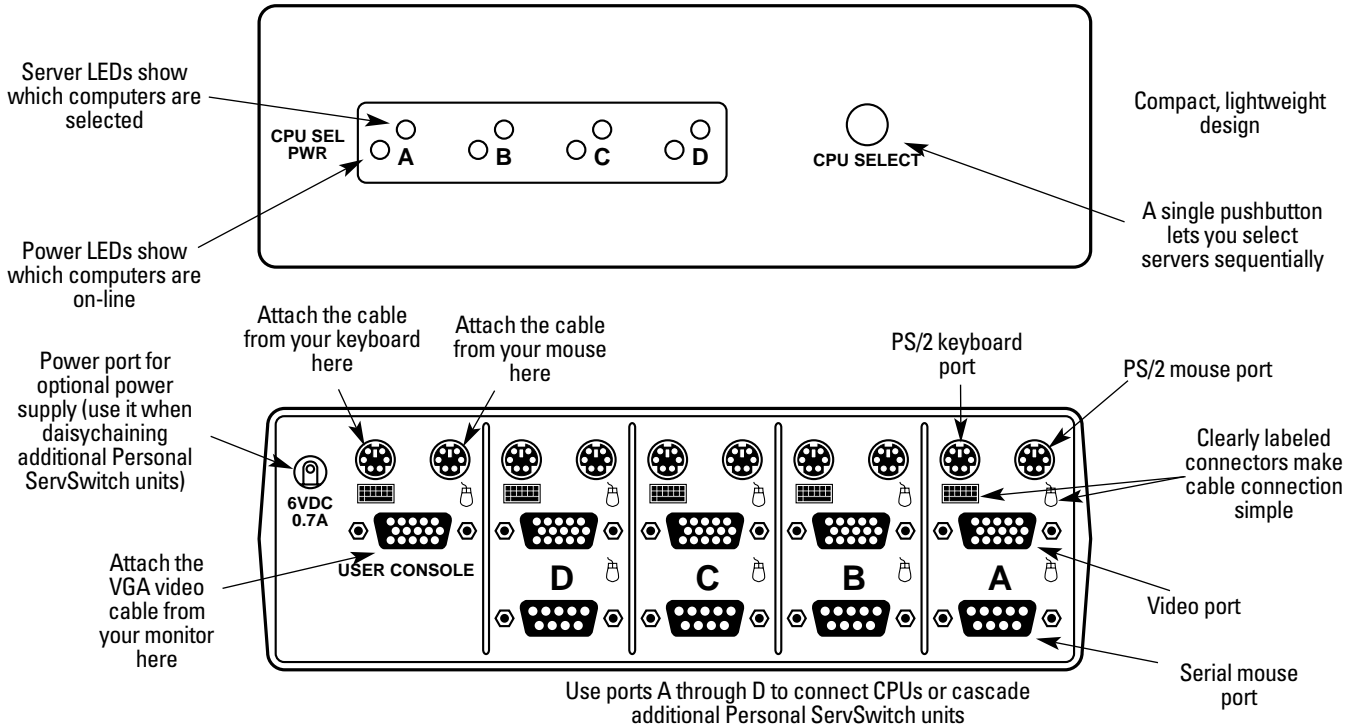
You can use one monitor, keyboard, and mouse to manage all of your computers. Less clutter + more free space + more money saved = smiles all around!



Many KVM switches demand expensive, specialized many-to-one cables. But with the Personal ServSwitch, you make simple connections with inexpensive cables.



Take a closer look at what makes this switch perfect for simple desktop PC applications. Just attach the cables to the connectors, and you're ready to go!



Specifications

Compliance: UL® 1950; CE; CSA C22.2 No. 950; EN60950; FCC Part 15B; EN55022; EN50082

Distance (Maximum): 6.6 ft. (2 m)

Supported CPUs: IBM PS/2; PC 286, 386, 486, Pentium® or compatible

Resolution (Maximum): 1024 x 768 @ 80 Hz

User Control: (1) front-panel CPU SELECT pushbutton

Connectors:

- User: From monitor: HD15 F;
- From keyboard: 6-pin mini-DIN F;
- From mouse: 6-pin mini-DIN F;
- CPU: Video: HD15 F;
- Keyboard: 6-pin mini-DIN F;
- Mouse: DB9 F or 6-pin mini-DIN F

Indicators: LEDs: (2) or (4) Power, green; (2) or (4) Server, yellow

Temperature Tolerance:
 Operating: 41 to 104°F (5 to 40°C);
 Storage: -4 to +122°F (-20 to +50°C)

Power: From the interface; optional 115- or 220-VAC power supply available (for use when cascading multiple units)

Size: SW625A-R3: 1.9"H x 8.1"W x 5"D (4.8 x 20.6 x 12.7 cm);
 SW626A-R3: 2.7"H x 8.1"W x 5"D (6.9 x 20.6 x 12.7 cm)

Additional Equipment You May Need

Order a cabling kit for each attached CPU: either the PC/AT Style Cabling Kit (EHN405-AT) or the PS/2 Style Cabling Kit (EHN405-PS2).

The PS/2 Style Kit includes:

- (2) 5-ft. (1.5-m) PS/2 cables,
- (1) 5-ft. (1.5-m) VGA cable.

The PC/AT Style Kit includes:

- (1) 5-ft. (1.5-m) PS/2 cable,
- (1) 5-ft. (1.5-m) VGA cable,
- (1) PS/2 to PC/AT keyboard adapter,
- (1) serial mouse cable.

Ordering Information

ITEM	CODE
Personal ServSwitch	
2-Port.....	SW625A-R3
4-Port.....	SW626A-R3
<i>For each attached CPU, order a:</i>	
Personal ServSwitch Cabling Kit	
PC/AT Style.....	EHN405-AT
PS/2 Style.....	EHN405-PS2
<i>For cascading multiple units, order:</i>	
Optional Power Supply	
115-VAC.....	PS626
230-VAC.....	PS626E