

## Industrial Ethernet in Active WAVELine Housing

**IE-SW3-WAVE**  
**IE-SW3/1SC-WAVE**  
**IE-SW3/1ST-WAVE**  
**IE-SW3/1LC-WAVE**  
**IE-SW5-WAVE**  
**IE-SW6/1SC-WAVE**  
**IE-SW6/1ST-WAVE**  
**IE-SW6/1LC-WAVE**  
**IE-SW8-WAVE**

# NEW



Industrial Ethernet with a uniform housing concept. Weidmüller provides this WAVELine series in multiple configurations. The WAVELine is ideal for setting up Industrial Ethernet whenever you require a simple link between your terminal equipment and Ethernet systems.

- Economic Plug and Play unmanaged switch with 3 to 8 Ethernet ports
- Robust housing for DIN-rail mounting
- UL 94 flammability rating VO
- Automatic recognition and negotiation of data transmission rates
- Operating temperatures from 0°C to 60°C
- Redundant power supply
- Class 1 Division 2 approved

The WAVELine products integrate 3 to 8 RJ45 and Fiber Optic ports in a compact housing. With integral features such as Auto Negotiation and Auto Crossing, and an operating temperature range of 0°C to 60°C, the WAVELine is ideal for establishing Industrial Ethernet wherever you require a simple link between your device and your Ethernet network.

### Canada

Weidmüller, Canada  
10 Spy Court  
Markham, Ontario L3R 5H6  
Telephone: (800) 268-4080  
Facsimile: (905) 475-2798  
Email: [info1@weidmuller.ca](mailto:info1@weidmuller.ca)  
Website: [www.weidmuller.ca](http://www.weidmuller.ca)

### Mexico

Bvld. Hermanos Serdán 698,  
Col. San Rafael Oriente  
Puebla, Puebla, Mexico  
C.P. 72029,  
Telephone: 01 222 2686267  
Facsimile: 01 222 2686219  
Email: [clientes@weidmuller.com.mx](mailto:clientes@weidmuller.com.mx)  
Website: [www.weidmuller.com.mx](http://www.weidmuller.com.mx)

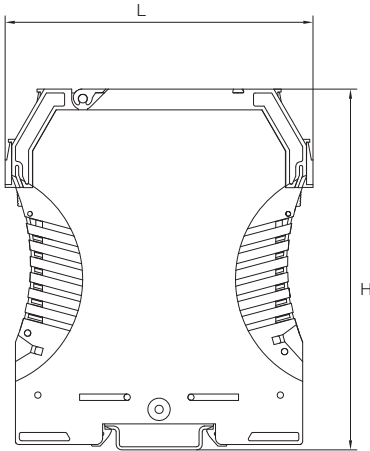
### United States

Weidmüller  
821 Southlake Blvd.  
Richmond, Virginia 23236  
Telephone: (800) 849-9343  
Facsimile: (804) 379-2593  
Email: [info@weidmuller.com](mailto:info@weidmuller.com)  
Website: [www.weidmuller.com](http://www.weidmuller.com)

**Weidmüller** 

# Industrial Ethernet in Active WAVEline Housing

## Dimensional Drawing



## Unmanaged switch

- WAVEline
- 3-5 ports



## Unmanaged switch

- WAVEline
- 6-8 ports



## Technical data

Housing	Plastic	Plastic
AC input voltage, min.-max	12-24 VAC	12-24 VAC
DC input voltage, min.-max	10-35 VDC	10-35 VDC
Input power AC / DC	4 VA AC/4 W DC	5 VA AC/5 W DC
Input frequency	47-63 Hz	47-63 Hz
Operating temperature, min.-max.	0°C...60°C	0°C...60°C
Storage temperature, min.-max.	0°C...60°C	0°C...60°C
Installation	TS 35 DIN-rail	TS 35 DIN-rail
Ingress protection class	IP 20	IP 20
Standard	ANSI / IEEE 802.3	ANSI / IEEE 802.3
Data rate	10BASE-T/100BASE-TX	10BASE-T/100BASE-TX
Segment length	Copper, 100m; Fiber (multimode) 2 km	Copper, 100m; Fiber (multimode) 2 km
Functionality	Autonegotiation and Autocrossing (RJ45), redundant voltage supply	Autonegotiation and Autocrossing (RJ45), redundant voltage supply
Flow control	HD (backpressure)/FD (pause)	HD (backpressure)/FD (pause)
Status indication	Power, Data Rate, Connection/Activity	Power, Data Rate, Connection/Activity
Buffer memory		
Address memory		
Approvals	cULus, CE	cULus, CE
Aging	300 s	300 s
Length x width x height mm (in)	108 x 22.5 x 127.8 (4.25 x .886 x 5.03)	108 x 45 x 127.8 (4.25 x 1.77 x 5.03)
Note		

## Ordering data

Description	Type	Part No.	Description	Type	Part No.
3xRJ45	IE-SW3-WAVE	8897710000	6xRJ45; 1xSC	IE-SW6/1SC-WAVE	8896950000
3xRJ45; 1xSC	IE-SW3/1SC-WAVE	8896920000	6xRJ45; 1xST	IE-SW6/1ST-WAVE	8896960000
3xRJ45; 1xST	IE-SW3/1ST-WAVE	8896930000	6xRJ45; 1xLC	IE-SW6/1LC-WAVE	8944360000
3xRJ45; 1xLC	IE-SW3/1LC-WAVE	8944350000	8xRJ45	IE-SW8-WAVE	8896970000
5xRJ45	IE-SW5-WAVE	8896940000			

## Accessories

	Type	Part No.	Type	Part No.
RJ45 dust protection ring	IE-DPC	8813490000	IE-DPC	8813490000