

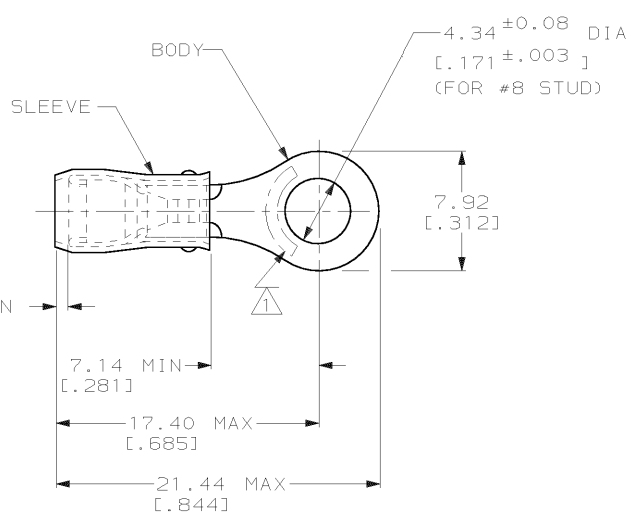
DRAWING MADE IN THIRD ANGLE PROJECTION

THIS DRAWING IS UNPUBLISHED. RELEASED FOR PUBLICATION

© COPYRIGHT 19 BY AMP INCORPORATED. ALL INTERNATIONAL RIGHTS RESERVED.

LOC	DIST	P	F	ZONE	LTR	DESCRIPTION	DATE	APPD
G	14				Z	REV PER 0G3A-0199-99	16FEB00	JR/TM

AMP WIRE RANGE	UL E13288 Listed	CSA LR7189 Certified
22-16 AWG SOLID OR STRANDED	22-16 AWG SOLID OR STRANDED	22-16 AWG SOLID OR STRANDED



- △ STAMP AMP 22-18* APPROX AS SHOWN
22-16 TERMINALS ARE STAMPED 22-18 IN
ACCORDANCE WITH MILITARY SPEC MIL-T-7928
COMMERCIAL WIRE RANGE IS 22-16
- 2 WIRE INSULATION DIA: 2.03 - 3.18
[0.080 - 0.125]
- 3 TONGUE MATERIAL THK: 0.79±0.05
[0.031±0.002]

AMP INCORPORATED CUSTOMER SERVICE SYSTEMS		MAX RECOMMENDED OPERATING TEMPERATURE: 105°C MAX	100	LOOSE PIECE, BOX	6-320551-1
FOR ADDITIONAL PRODUCT INFORMATION OR COPIES OF DRAWINGS AND TECHNICAL DOCUMENTS	PRODUCT INFORMATION CENTER 1-800-522-6752	VOLTAGE RATING: 300 V MAX	MS25036-149 CLASS 2 5000	ON TAPE, REEL	1-320551-1
FOR APPLICATION	TOOLING ASSISTANCE CENTER 1-800-722-1111	CIRCULAR MIL AREA: 0.26-1.65mm ² [509-3,260] CIR MILS SOLID OR STRANDED	MS25036-149 CLASS 1 & 2 1000	LOOSE PIECE	320551
FOR ORDER ENTRY	1-800-526-5142	THIS DRAWING IS A CONTROLLED DOCUMENT FOR AMP INCORPORATED. IT IS SUBJECT TO CHANGE AND THE CONTROLLING ENGINEERING ORGANIZATION SHOULD BE CONTACTED FOR THE LATEST REVISION.	MILITARY P/N AND CLASS	QUANTITY	PACKAGE TYPE
AMP INCORPORATED Harrisburg, PA 17105-3608		DO NOT SCALE PRINT. UNLESS SPECIFIED DIMENSIONS IN MM [INCHES] TOLERANCES ON: 2 PLC DEC ± 0.20(-0.008) 3 PLC DEC ± - ANGLES ± -	DR 9/8/93 OK SCHRUM CHK 9/8/93 RE HERSEY APPD 9/8/93 ML ELLIS M BARNABA		AMP
TERMINAL, RING TONGUE, PIDG™ WIRE SIZE, 22-16 AWG		MATERIAL COPPER PER ASTM B-152 SLEEVE, RED NYLON	PRODUCT SPEC UL 486A		NAME
FINISH TIN PLATE PER ASTM B545		APPLICATION SPEC NOT AVAILABLE	SIZE	CAGE CODE	DRAWING NO
AMP 1470-15 REV 3-92 11-FEB-00 12:59:05 amp13469 /home/amp13469/edmod		WEIGHT -	B	00779	C=320551
			SCALE	NTS	SHEET 1 OF 2

CUSTOMER DRAWING

DRAWING MADE IN THIRD ANGLE PROJECTION

THIS DRAWING IS UNPUBLISHED. RELEASED FOR PUBLICATION, 19
 © COPYRIGHT 19 BY AMP INCORPORATED. ALL INTERNATIONAL RIGHTS RESERVED.

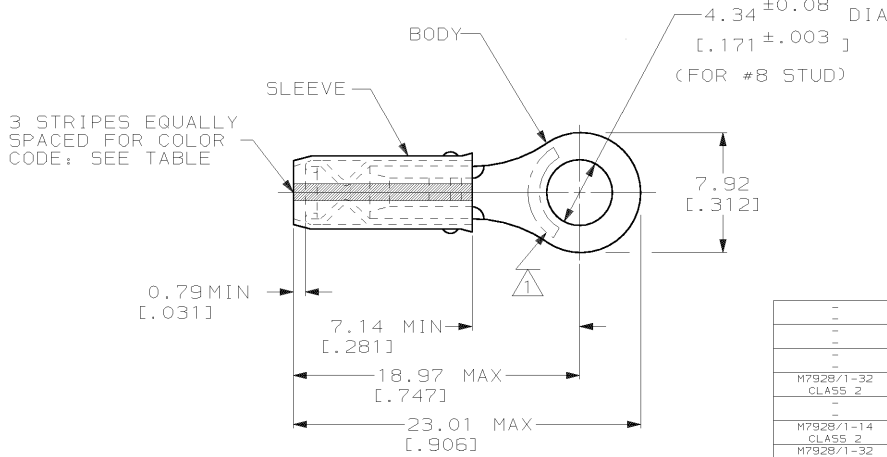
LOC	DIST	P	F	ZONE	LTR	REVISIONS	DATE	APPD
G	14				Z	REV PER 0G3A-0199-99	16FEB00	JR/TM



STAMP AMP APPROX AS SHOWN
 SEE TABLE BELOW

- 2 WIRE INSULATION DIA: 0.97 - 2.79 FOR 22 AWG [0.038 - .110]
 1.17 - 2.79 FOR 20 AWG [0.046 - .110]
 1.42 - 2.79 FOR 18 AWG [0.056 - .110]

3 TONGUE MATERIAL THK: 0.79±0.05 [0.031±.002]



MILITARY P/N AND CLASS	STRIPE COLOR	STAMPING	WIRE SIZE	QUANTITY	PACKAGE TYPE	PART NO
-	WHITE	18*	18	100	LOOSE PIECE, BOX	9-320551-1
-	RED	20*	20	100	LOOSE PIECE, BOX	8-320551-1
-	GREEN	22*	22	100	LOOSE PIECE, BOX	7-320551-1
M7928/1-32 CLASS 2	WHITE	18*	18	5000	ON TAPE, REEL	1-320551-8
-	RED	20*	20	5000	ON TAPE, REEL	1-320551-7
M7928/1-14 CLASS 2	GREEN	22*	22	5000	ON TAPE, REEL	1-320551-5
M7928/1-32 CLASS 1 & 2	WHITE	18*	18	1000	LOOSE PIECE	1-320551-4
M7928/1-23 CLASS 1 & 2	RED	20*	20	1000	LOOSE PIECE	1-320551-3
M7928/1-14 CLASS 1 & 2	GREEN	22*	22	1000	LOOSE PIECE	1-320551-2

**AMP INCORPORATED
 CUSTOMER SERVICE SYSTEMS**

FOR ADDITIONAL PRODUCT INFORMATION OR COPIES OF DRAWINGS AND TECHNICAL DOCUMENTS	PRODUCT INFORMATION CENTER 1-800-522-6752
FOR APPLICATION	TOOLING ASSISTANCE CENTER 1-800-722-1111
TOOLING INFORMATION	1-800-722-1111
FOR ORDER ENTRY	1-800-526-5142

MAX RECOMMENDED OPERATING TEMPERATURE: 105°C MAX	
VOLTAGE RATING: 300 V MAX	
WIRE RANGE: 22, 20, 18	CIRC MIL AREA: 0.38mm² [754], 0.60mm² [1,186], 0.96mm² [1,900]
STRANDED	

DO NOT SCALE PRINT. UNLESS SPECIFIED DIMENSIONS IN mm [INCHES] TOLERANCES ON: 2 PLC DEC ± 0.20(L.008) 3 PLC DEC ± - ANGLES ± -	DR 9/8/93 DK SCHRUM CHK 9/8/93 RE HERSEY APPD 9/8/93 ML ELLIS APPD 9/8/93 M BARNABA
MATERIAL: COPPER PER ASTM B-152 SLEEVE, RED NYLON	PRODUCT SPEC: -
FINISH: TIN PLATE PER ASTM B545	APPLICATION SPEC: NOT AVAILABLE
WEIGHT: -	SCALE: NTS

AMP AMP Incorporated Harrisburg, PA 17105-3608		
NAME: TERMINAL, RING TONGUE, I.R., PIDG™, WIRE SIZE, 22-16 AWG		
SIZE: B	CAGE CODE: 00779	DRAWING NO: C=320551
SCALE: NTS	SHEET: 2 OF 2	