



New Product – Key Facts

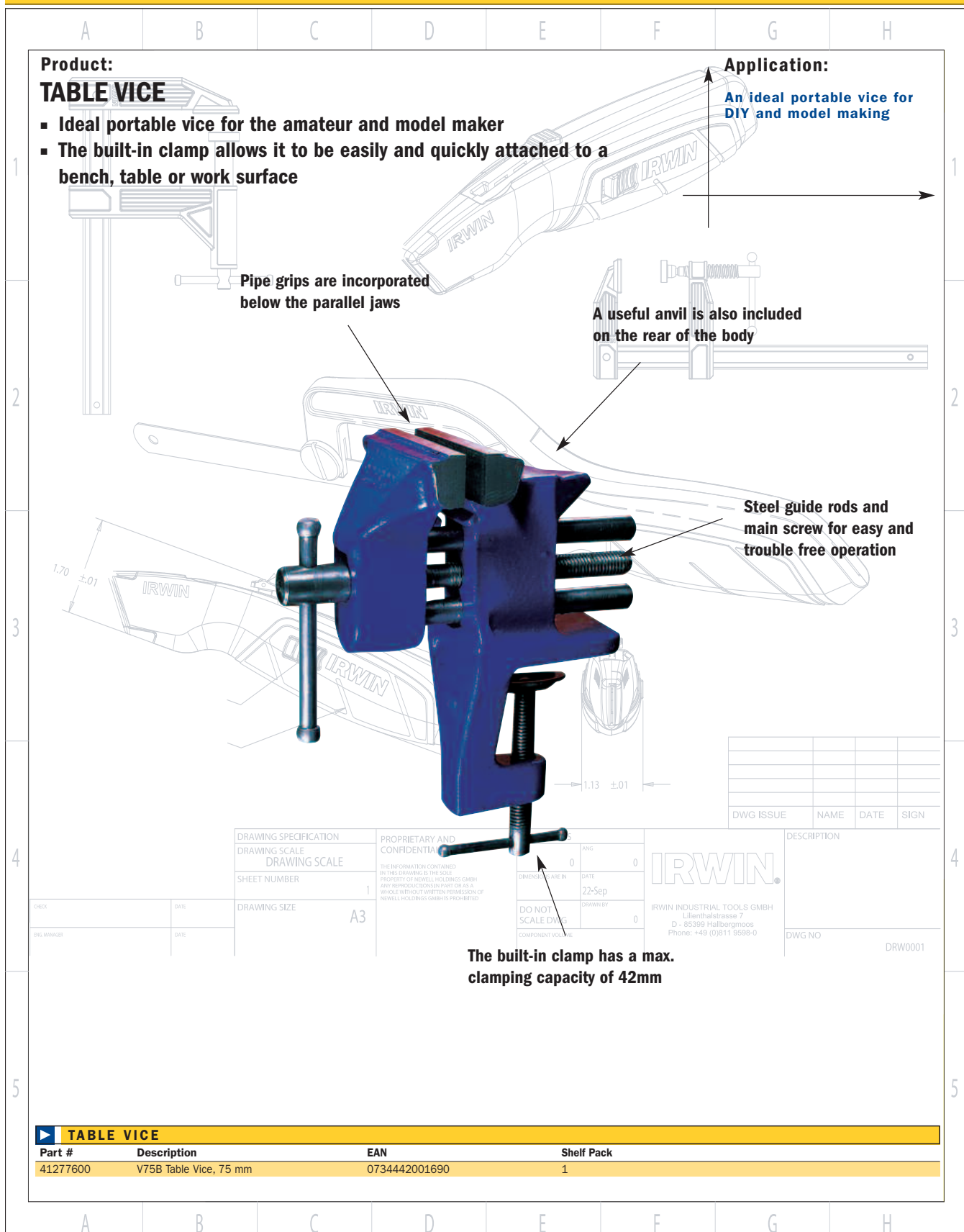
Product:

TABLE VICE

- Ideal portable vice for the amateur and model maker
- The built-in clamp allows it to be easily and quickly attached to a bench, table or work surface

Application:

An ideal portable vice for DIY and model making



DRAWING SPECIFICATION	PROPRIETARY AND CONFIDENTIAL
DRAWING SCALE	
SHEET NUMBER	1
DRAWING SIZE	A3

THE INFORMATION CONTAINED IN THIS DRAWING IS THE SOLE PROPERTY OF IRWIN INDUSTRIAL TOOLS GMBH. ANY REPRODUCTION IN PART OR AS A WHOLE WITHOUT WRITTEN PERMISSION OF IRWIN INDUSTRIAL TOOLS GMBH IS PROHIBITED.	ANG	0
	DATE	22-Sep
	DRAWN BY	
	DO NOT SCALE DWG	0
	COMPONENT VOLUME	

IRWIN
 IRWIN INDUSTRIAL TOOLS GMBH
 Lilienthalstrasse 7
 D - 85399 Hallertingmoos
 Phone: +49 (0)811 9598-0

DWG ISSUE	NAME	DATE	SIGN

DESCRIPTION	
DWG NO	DRW0001

TABLE VICE

Part #	Description	EAN	Shelf Pack
41277600	V75B Table Vice, 75 mm	0734442001690	1