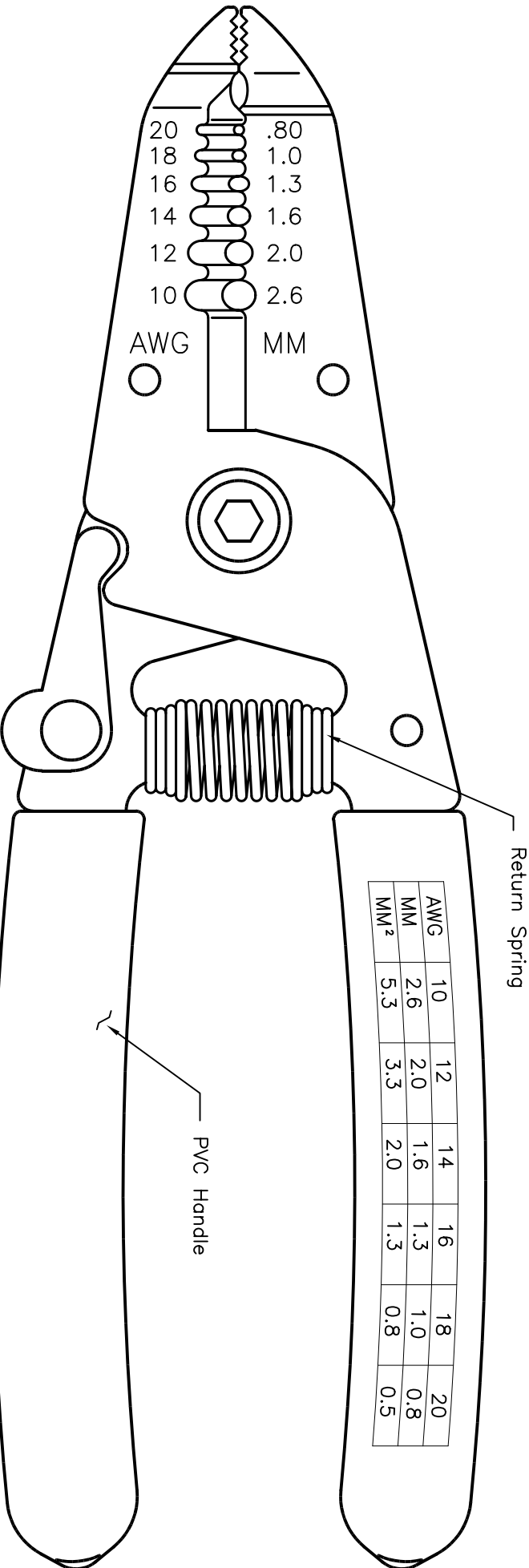


ALL RIGHTS RESERVED. NO PORTION OF THIS PUBLICATION, WHETHER IN WHOLE OR IN PART CAN BE REPRODUCED WITHOUT THE EXPRESS WRITTEN CONSENT OF SPC TECHNOLOGY.

SPC-F005.DWG

REVISIONS			DOC. NO. SPC-F005	Effective: 7/8/02	DCP No: 1398			
DCP #	REV	DESCRIPTION	DRAWN	DATE	CHECKD	DATE	APPRD	DATE
1343	A	RELEASED	HO	11/14/02	JMM	12/2/02	DJC	12/13/02



- Specification:**
- Stripping Wire from 10 ~ 20 AWG with Spring Return Action
  - Length: 155MM
  - Metd: Steel, #SS50C
  - Hardness: HRC 48-53
  - Frame: Black Oxide Finished

DISCLAIMER:  
ALL STATEMENTS AND TECHNICAL INFORMATION CONTAINED HEREIN ARE BASED UPON INFORMATION AND/OR TESTS WE BELIEVE TO BE ACCURATE AND RELIABLE. SINCE CONDITIONS OF USE ARE BEYOND OUR CONTROL, THE USER SHALL DETERMINE THE SUITABILITY OF THE PRODUCT FOR THE INTENDED USE AND ASSUME ALL RISK AND LIABILITY WHATSOEVER IN CONNECTION THEREWITH.

TOLERANCES:  
UNLESS OTHERWISE SPECIFIED, DIMENSIONS ARE FOR REFERENCE PURPOSES ONLY.

DRAWN BY:	DATE:	DRAWING TITLE:	SCALE:	SHEET:
HISHAM ODISH	11/14/02	WIRING STRIPPER, 10 ~ 20 AWG	NTS	1 OF 1
CHECKED BY:	DATE:	SIZE	DWG. NO.	ELECTRONIC FILE
JEFF MCWICKER	12/2/02	A	2043	92N3781.DWG
APPROVED BY:	DATE:	SCALE:	U.O.M.: INCHES [mm]	SHEET:
DANIEL CAREY	12/13/02	NTS		1 OF 1