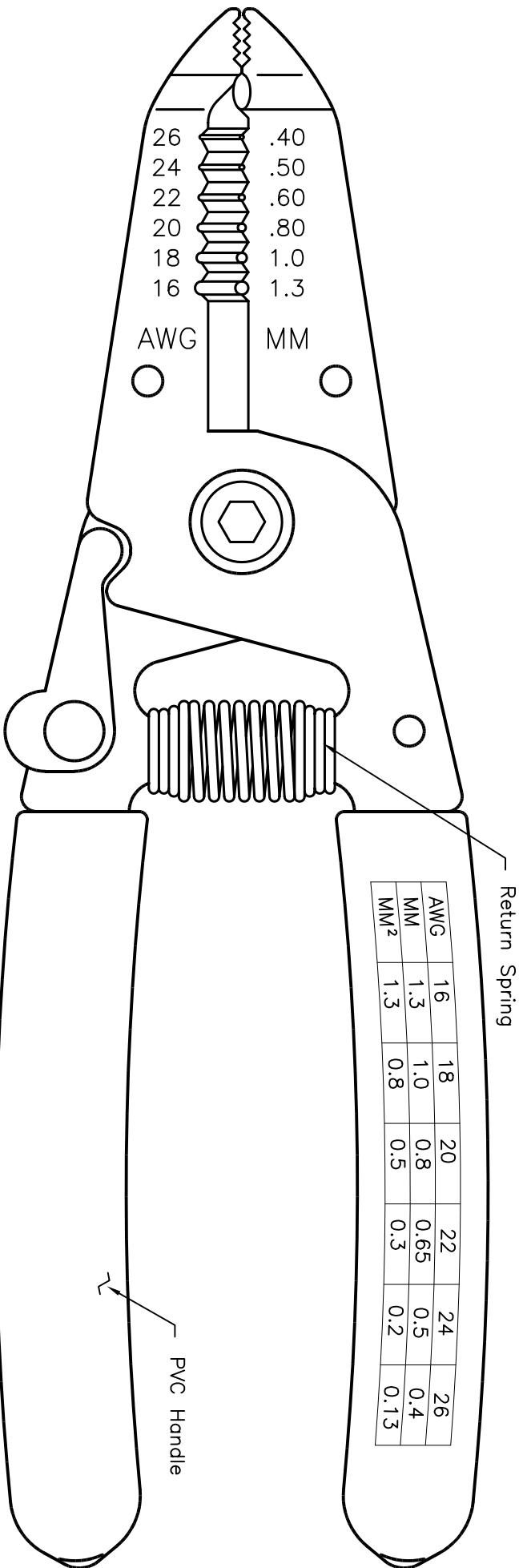


ALL RIGHTS RESERVED. NO PORTION OF THIS PUBLICATION, WHETHER IN WHOLE OR IN PART CAN BE REPRODUCED WITHOUT THE EXPRESS WRITTEN CONSENT OF SPC TECHNOLOGY.

SPC-F005.DWG

REVISIONS			DOC. NO. SPC-F005	Effective: 7/8/02	DCP No: 1398			
DCP #	REV	DESCRIPTION	DRAWN	DATE	CHECKD	DATE	APPRVD	DATE
1343	A	RELEASED	HO	11/14/02	JWM	12/2/02	DJC	12/13/02



- Specification:**
- Stripping Wire from 16 to 26 AWG with Spring Return Action
 - Length: 155MM
 - Metal: Steel, #S50C
 - Hardness: HRC 48-53
 - Frame: Black Oxide Finished

TOLERANCES:

UNLESS OTHERWISE SPECIFIED, DIMENSIONS ARE FOR REFERENCE PURPOSES ONLY.

DISCLAIMER:
ALL STATEMENTS AND TECHNICAL INFORMATION CONTAINED HEREIN ARE BASED UPON INFORMATION AND/OR TESTS WE BELIEVE TO BE ACCURATE AND RELIABLE. SINCE CONDITIONS OF USE ARE BEYOND OUR CONTROL, THE USER SHALL DETERMINE THE SUITABILITY OF THE PRODUCT FOR THE INTENDED USE AND ASSUME ALL RISK AND LIABILITY WHATSOEVER IN CONNECTION THEREWITH.

DRAWN BY:	DATE:	DRAWING TITLE:		SCALE:	U.O.M.: INCHES [mm]	SHEET:	1 OF 1
HISHAM ODISH	11/14/02	WIRE STRIPPER, 16 ~ 26 AWG		NTS			
CHECKED BY:	DATE:	SIZE	DWG. NO.	ELECTRONIC FILE		REV	
JEFF MCWICKER	12/2/02	A	2038	92N3776.DWG		A	
APPROVED BY:	DATE:						
DANIEL CAREY	12/13/02						